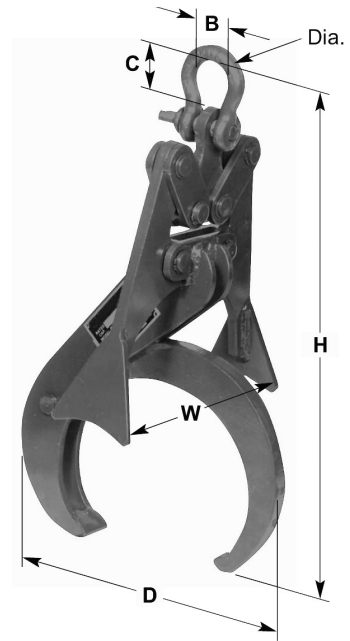


CONSTRUCTION TOOLS

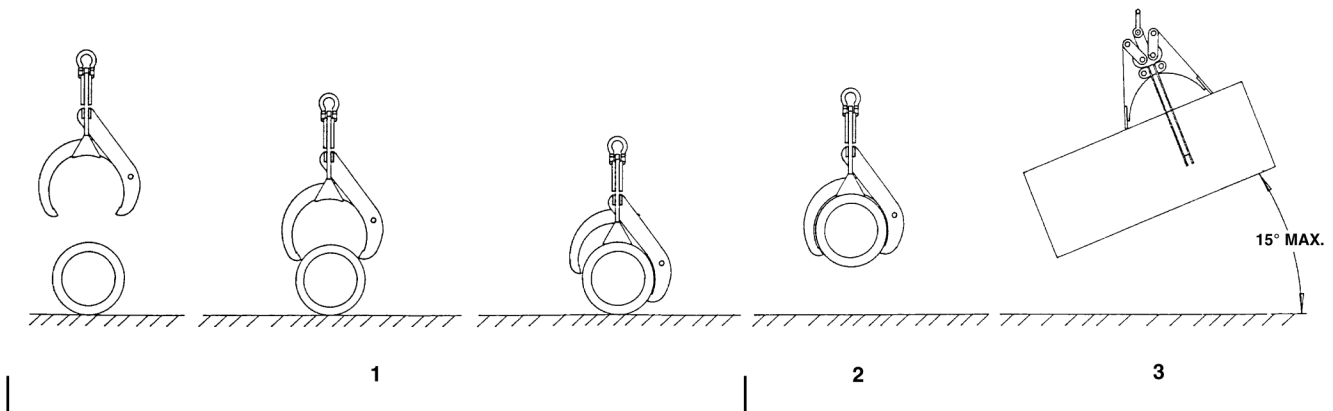
Pipe Grab (C OR S) (For cast iron or steel pipe only)

FEATURES

- Automatically clamps to pipe when lowered onto it
- Moveable outriggers stabilize the pipe during lift
- No blocking required
- Quick and efficient handling of properly balanced pipe



Rated Cap. (Lbs.)	Cast Iron		Steel		Height (H) (In.)	Width (W) (In.)	Depth (D) (In.)	Shackle Dim. (In.) Dia. • B • C	Wt. (Lbs.)
	Part No.	Pipe OD (In.)	Part No.	Pipe OD (In.)					
450	C3	4.0	S3	3.5	10	5	6	.38•1.03•1.44	7
600	C4	4.8	S4	4.5	14	8	7	.44•1.16•1.69	9
1000	C6	6.9	S6	6.63	17	11	11	.5•1.31•1.88	15
1400	C8	9.05	S8	8.63	22	13	14	.5•1.31•1.88	25



Operation:

1. Lower grab onto approximate center of pipe. Grab will open and seat on pipe.
2. Lift slowly to check for pipe balance. Never exceed a 15° angle.
3. If angle exceeds 15°, lower pipe and reposition grab.

CONSTRUCTION TOOLS

Pipe Tongs (PTL) (For vertical lifting only, not suspension)



Adjustable

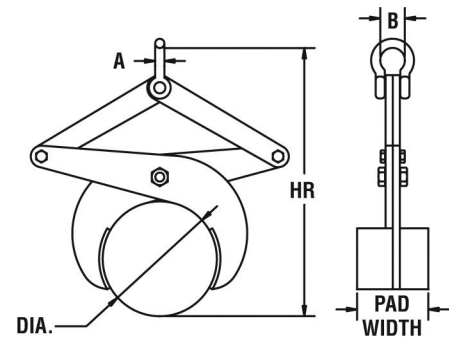
Fixed

FEATURES

- Pipe Tongs are made of sturdy construction to handle pipe, round bars, castings, etc
- Tongs are provided with bare steel curved gripping arms
- Optional replaceable urethane pads available to protect smooth or polished surfaces
- Load must be balanced and controlled when lifting
- May be used in pairs with a lifting beam for added stability

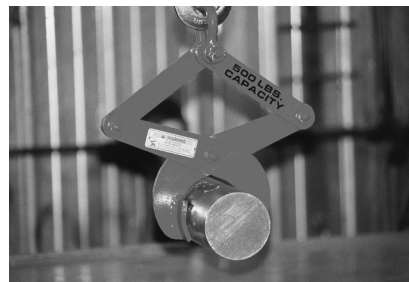
Specifications - Fixed Diameter

Rated Cap. (Lbs.)	Part No.	Dia. (In.)	Headroom (In.) Min.	A (In.)	B (In.)	Wt. (Lbs.)
1000	PTLF5	5	15 - 1/2	0.5	1.31	17
2000	PTLF8	8	23 - 1/2	0.5	1.31	25



Specifications - Adjustable Diameter

Rated Cap. (Lbs.)	Part No.	Bare Steel Range Min/Max (In.)	Urethane Pad Range Min/Max (In.)	HR Headroom Min.-Max. (In.)	Pad Width (In.)	A (In.)	B (In.)	Wt. (Lbs.)
1000	PTLA4	2-4	1.25-3.25	11.21-15.15	2.25	0.5	1.31	8
2000	PTLA8	4-8	3.25-7.25	19.18-26.49	5	0.5	1.31	29
2000	PTLA12	7-12	6.25-11.25	25.95-35.81	6	0.5	1.31	49
2000	PTLA15	10-15	9.25-14.25	30.03-38.67	6	0.5	1.31	77



WARNING

Decreasing the load by bumping or substantial imbalance can, under certain circumstances loosen the grip. Do not use in diameters other than those specified on nameplate.

CONSTRUCTION TOOLS

Concrete Manhole Housing Lifter (MHL)



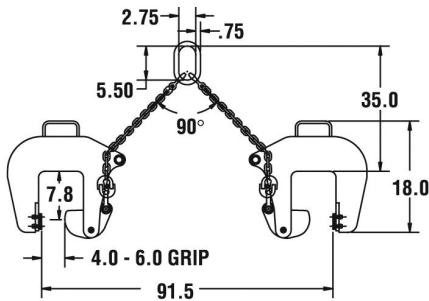
FEATURES

- Designed for 4"-6" concrete wall thickness
- Will not damage concrete seat
- Legs can be quickly positioned to balance load
- 2 and 3 leg models available
- Conforms to ASME B30.9 & B30.20

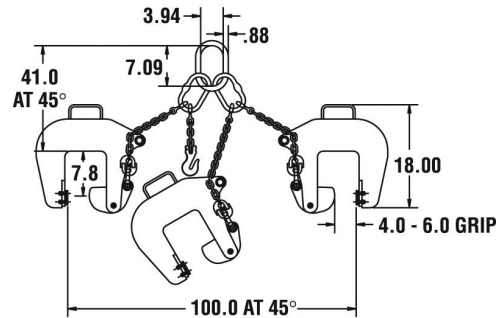
Note: Constant tension required to maintain positive load contact.



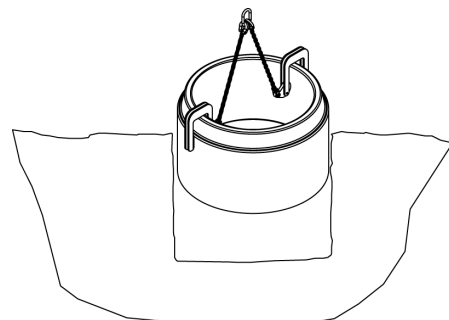
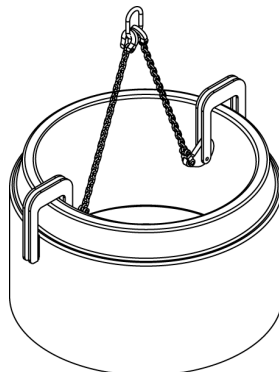
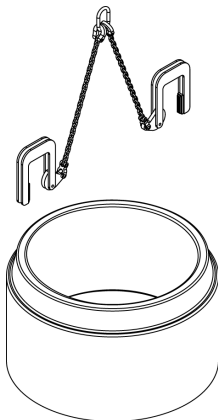
Rated Cap. (Lbs.)	Part No.	Description	Max. Dia.	Wt. (Lbs.)
10,000	MHL5	2 Leg Model (42" each)	92.5	131
15,000	MHL7 1/2	3 Leg Model (2@42", 1@72")	101	181
5,000	MHLC	Clamp Only	-	45



2 Leg Model



3 Leg Model



CONSTRUCTION TOOLS

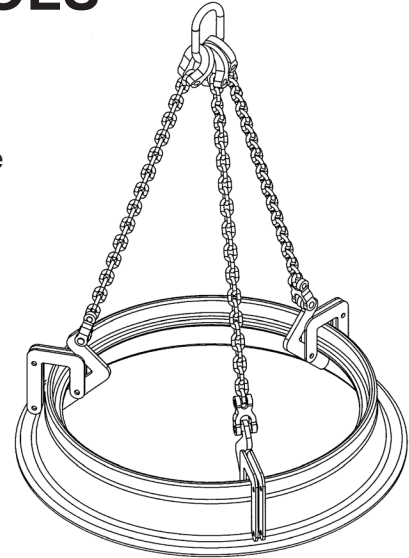
Manhole Sleeve Lifter (MCL)

FEATURES

- Easy to attach and release from sleeve
- The quick and easy way to place cast manhole sleeves
- 2 or 3 leg models available



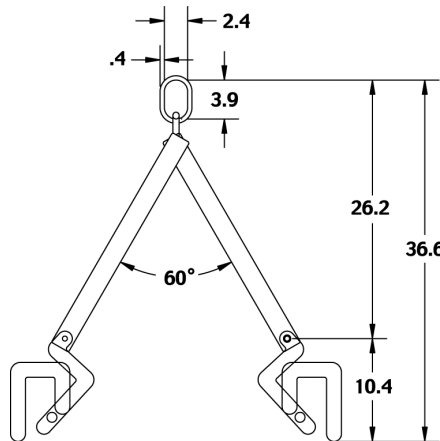
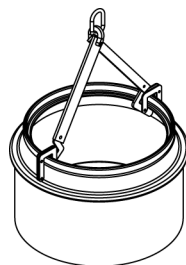
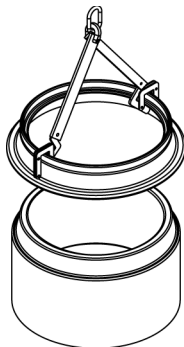
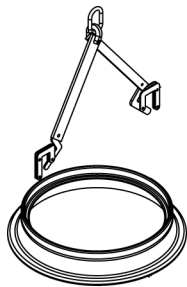
TWO LEG LIFTERS



THREE LEG LIFTERS

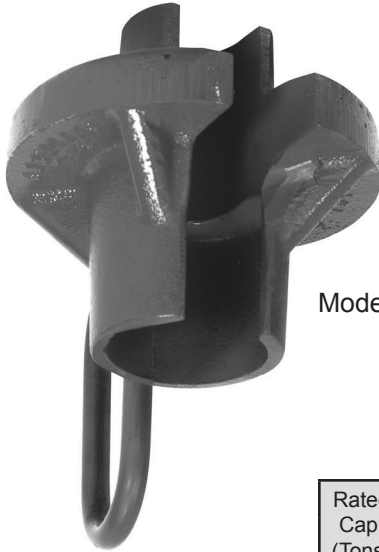
Rated Cap. (Lbs.)	Part No.	Description	Wt. (Lbs.)
1,000	MCL1/2	2 Leg Model	24
1,500	MCL3/4	3 Leg Model (2@18", 1@30")	26

Note: Flange diameter range 12"-30".



CONSTRUCTION TOOLS

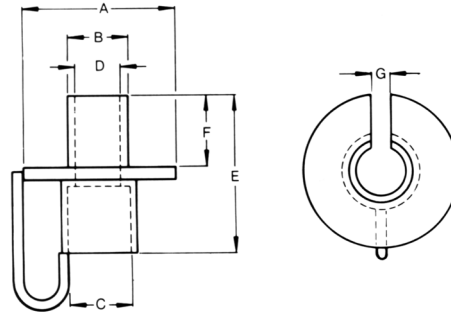
Tea Cup Pipe Carrier (TC)



Model TC66

FEATURES

- Efficiently handles concrete water and sewer pipes
- Three sizes available to lift up to 18 tons
- Standard hand grip for ease of installation
- Optional spoon handle available to assist Tea Cup placement (Model TC66 only) in small diameter pipes



Rated Cap. (Tons)	Part No.	Dimensions (In.)							Wt. (Lbs.)
		A	B	C	D	E	F	G	
6.6	TC66	5 9/16	2	2 1/8	1 1/8	4 3/4	1 3/4	1 1/8	9
13	TC130	6	2 1/2	2 5/8	1 3/8	5 3/4	1 3/4	1 3/8	12
18	TC180	8	3	3 1/4	1 5/8	7 5/8	2 3/4	1 5/8	22

Tea Cup Sling(TCS)

For use with Tea Cup Carriers

- 5 ft. standard length



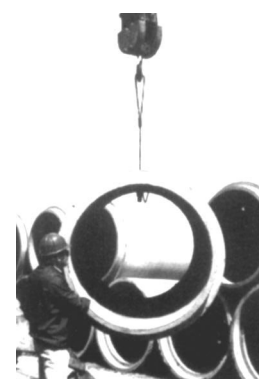
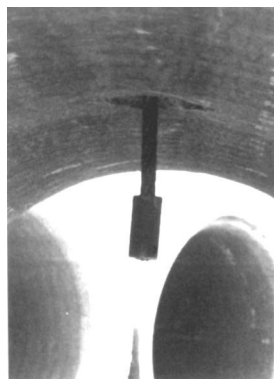
Tea Cup Spoon Handle (TCSH)
(Includes Bolt-on Lip)

Rated Cap. (Tons)	Part No.	Sling Dia. (In.)	For Use With:	Wt. (Lbs.)
4.9	TCS34	3/4	TC66	9
6.6	TCS78	7/8		14
8.5	TCS1	1	TC130	19
10	TCS118	1 1/8		26
13	TCS114	1 1/4		33
18	TCS112	1 1/2	TC180	52



OPERATION

1. Drop TCS Sling down through hole in pipe
2. Align and insert Tea Cup Pipe Carrier onto sling
3. Lift pipe



CONSTRUCTION TOOLS

Pipe Pick (PP)
(For concrete pipe only)

FEATURES

- Simple and fast
- No need to reach inside the pipe
- Worker remains above the pipe at all times
- Use to easily join length of pipe

Rated Cap. (Lbs.)	Part No.	Min. Pipe ID (In.)	Dimensions (In.)								Wt. (Lbs.)
			A	B	C	T	D	E	F	G	
3,000	CPP1.5	12	.62	1.62	2.37	.62	1.5	23	10.75	16.25	10
6,000	CPP3	14	.75	1.93	2.93	.75	1.75	27.62	12	20	18
10,000	CPP5	16	1	2.75	3	1	2.25	43.5	13	36	38

