



HOIST RINGS

Hoist Rings Make Lifting Easy

Hoist rings provide the safest method of attaching pickup points to loads. Eye bolts tend to deform and fracture when lifted at an angle. Hoist rings are designed to eliminate this weakness.

Features and Benefits

Promotes Safety

- Designed for lifting at angles; safer than rigid eye bolts.
- Magnetic particle or X-Ray inspection of components assures the highest quality.
- Fixed lift points prevent load and sling from slipping and ensure proper rigging methods.
- Every hoist ring is stamped with rated capacity and proof-tested.

Saves Money

- Hoist rings minimize contact between sling and load, reducing potential damage.
- Alloy steel material increases strength and reduces wear.
- Black oxide finish resists corrosion.
- Highest industry quality for durability and long life.

Saves Time

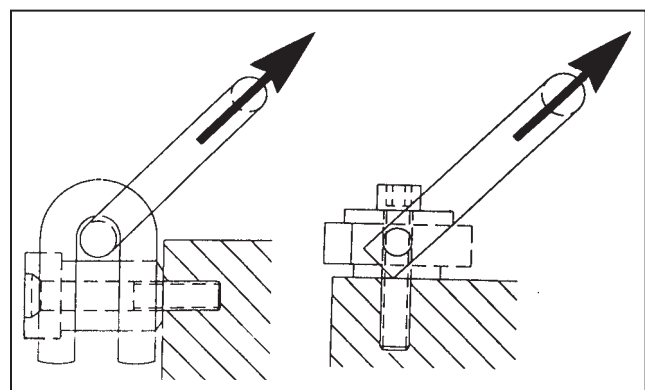
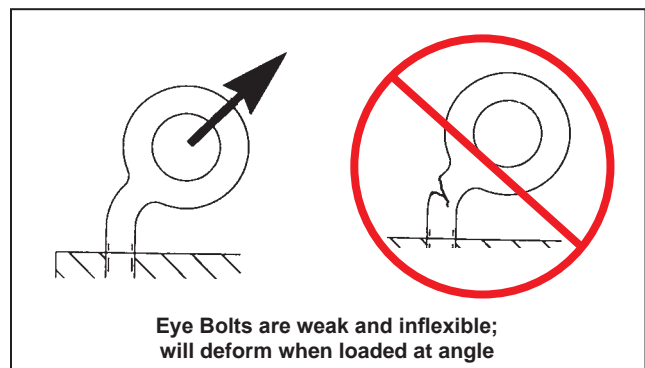
- Easy hook-up and disconnect of the load.
- Full swivel and pivot action of side pull hoist rings allows turning and flipping without unhooking.
- Easy to inspect.

Safe Operating Practices

Read and understand instruction sheet supplied with each hoist ring prior to use.

- Do not use a damaged or defective hoist ring.
- Inspect before each use.
- Do not overload.
- Full thread length must be engaged and torqued according to tables.
- Periodic re-torquing may be required.

Hoist ring ratings apply to use at any angle. Be sure that sling tension does not exceed the rating of the hoist ring. Refer to the Effect of Angle chart in the HELP section of this catalog.



Side Pull Hoist Ring

Strong and flexible, Side Pull Hoist Rings allow for full 360° swiveling and pivoting.

Center Pull Hoist Ring

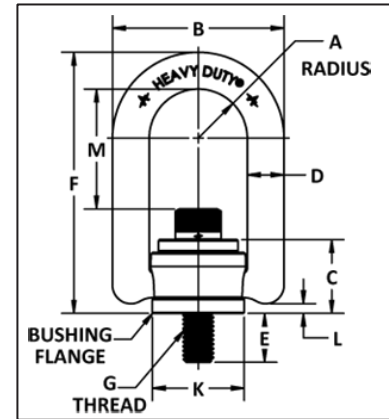
Center Pull Hoist Rings are the industry standard and are designed for top of load mounting.

HOIST RINGS

Forged Center-Pull Hoist Rings

Forged hoist rings are ideal for OEM and industrial use.

- Forged high strength 4140 alloy steel.
- Swivels 360° and pivots 180° under load.
- Meets manufacturing and design requirements of ASME-B30.26 and MIL-STD 209.
- Magnetic particle inspected per ASTM 1444.
- Each hoist ring is individually serialized.
- Black oxide finish for corrosion resistance.
- Design Factor 5:1.



Center-Pull Hoist Rings (Dimensions in inches)													
Part Number	Load Capacity* (lbs.)	G Thread	A	B	C	D	E (+/- .12)	F	K	L	M	Torque** (ft.-lbs.)	Weight (lbs.)
23906	800	5/16-18	0.65	2.29	0.96	0.44	0.56	3.23	1.25	0.15	1.51	7	0.52
23907	800	5/16-18	0.65	2.29	0.96	0.44	1.06	3.23	1.25	0.15	1.51	7	0.54
23908	1,000	3/8-16	0.65	2.29	0.96	0.44	0.56	3.23	1.25	0.15	1.45	12	0.56
23909	1,000	3/8-16	0.65	2.29	0.96	0.44	1.06	3.23	1.25	0.15	1.45	12	0.58
23910	2,500	1/2-13	1.00	3.50	1.50	0.75	0.75	5.31	1.89	0.17	2.56	28	1.71
23911	2,500	1/2-13	1.00	3.50	1.50	0.75	1.00	5.31	1.89	0.17	2.56	28	1.72
23914	4,000	5/8-11	1.00	3.50	1.50	0.75	1.00	5.31	1.89	0.17	2.44	60	1.78
23915	4,000	5/8-11	1.00	3.50	1.50	0.75	1.25	5.31	1.89	0.17	2.44	60	1.88
23917	5,000	3/4-10	1.00	3.50	1.50	0.75	1.00	5.31	1.89	0.17	2.31	100	1.89
23918	5,000	3/4-10	1.00	3.50	1.50	0.75	1.50	5.31	1.89	0.17	2.31	100	2.02
23926	10,000	1-8	1.50	5.10	2.05	1.00	1.45	7.37	2.81	0.18	3.20	230	7.57
23927	10,000	1-8	1.50	5.10	2.05	1.00	2.20	7.37	2.81	0.18	3.20	230	7.81
23929	15,000	1 1/4-7	2.00	6.75	2.87	1.25	1.88	9.22	3.88	0.18	3.74	470	15.7
23930	15,000	1 1/4-7	2.00	6.75	2.87	1.25	2.63	9.22	3.88	0.18	3.74	470	16.0
23933	24,000	1 1/2-6	2.00	6.75	2.87	1.25	2.63	9.22	3.88	0.32	3.49	800	18.1
23935	30,000	2-4 1/2	2.00	6.75	2.87	1.25	2.96	9.22	3.88	0.32	3.49	1100	22.9

Metric Center-Pull Hoist Rings (Dimensions in millimeters)													
Part Number	Load Capacity* (kgs.)	G Thread	A	B	C	D	E (+/- .12)	F	K	L	M	Torque** (Nm)	Weight (kg.)
23956	400	M8 x 1.25	16.5	58.2	24.4	11.1	16	82.0	31.8	4.0	38.5	9.5	0.24
23958	450	M10 x 1.50	16.5	58.2	24.4	11.1	16	82.0	31.8	4.0	36.5	16	0.25
23962	1,050	M12 x 1.75	25.4	88.9	38.1	19.1	25	134.9	48.0	4.4	65.0	37	0.78
23965	1,900	M16 x 2.0	25.4	88.9	38.1	19.1	25	134.9	48.0	4.4	62.0	80	0.81
23968	2,200	M20 x 2.5	25.4	88.9	38.1	19.1	25	134.6	48.0	4.4	58.7	135	0.86
23974	4,200	M24 x 3.0	35.6	129.5	52.1	25.4	28	187.2	71.4	4.6	85.7	311	3.29
23975	4,200	M24 x 3.0	35.6	129.5	52.1	25.4	38	234.2	71.4	4.6	85.7	311	3.30
23979	7,000	M30 x 3.5	50.8	171.5	72.9	31.8	67	234.2	98.5	8.2	95.0	637.2	7.26
23982	11,000	M36 x 4.0	50.8	171.5	72.9	31.8	67	234.2	98.5	8.2	88.6	1085.5	8.21
23985	12,500	M42 x 4.5	50.8	171.5	72.9	31.8	80	234.2	98.5	8.2	88.6	1085.5	10.14
23986	13,500	M48 x 5.0	50.8	171.5	72.9	31.8	80	234.2	98.5	8.2	88.6	1085.5	10.59

All dimensions approximate. Variations do not affect use or design factor.

** It is recommended that these torques be used when installing hoist rings.

*



Do not exceed rated capacities. Be sure that sling tension does not exceed hoist ring capacity. Follow instructions for Effect of Angle in HELP section of this catalog.

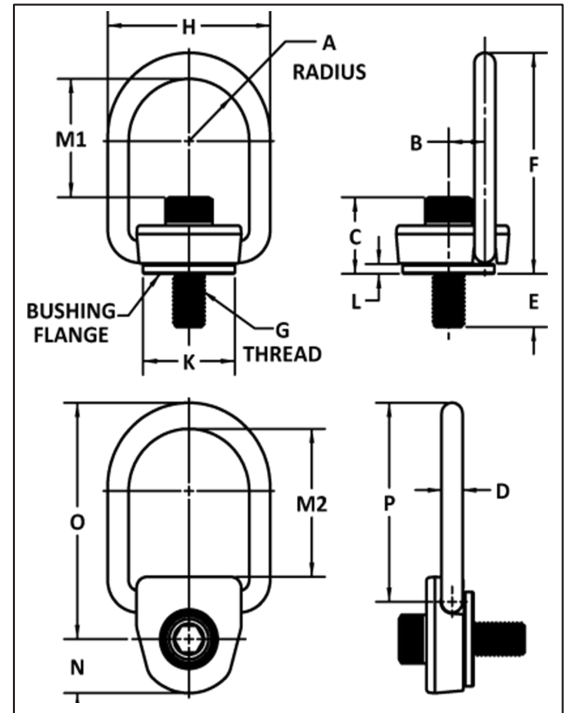
HOIST RINGS

Side-Pull Hoist Rings

A versatile style of hoist ring well suited for turning and flipping loads, as well as for top lifts. Extensively used in automotive stamping plants and injection molding operations for die changing.



- Re-designed load ring is more suitable for use with web slings.
- Self-aligns in the direction of the load.
- Rotates 360° under load.
- Forged high strength 4140 alloy steel.
- Designed for loading 90° from bolt axis.
- Meets manufacturing and design requirements of ASME-B30.26 and MIL-STD 209.
- Magnetic particle inspected per ASTM 1444.
- Each hoist ring is individually serialized.
- Black Oxide finish for corrosion resistance.
- Design Factor 5:1.



Side-Pull Hoist Rings (Dimensions in inches)

Part Number	Load Capacity* (lbs.)	G Thread	A	B	C	D	E (+/-12)	F	H	K	L	M1	M2	N	O	P	Torque** (ft.-lbs.)	Weight (lbs.)
10253	800	5/16 - 18	1.44	0.87	1.33	0.5	0.48	5.12	3.88	2.19	0.23	3.18	3.43	1.25	5.48	4.61	7	2.05
10254	1,000	3/8 - 16	1.44	0.87	1.40	0.5	0.48	5.12	3.88	2.19	0.23	3.12	3.43	1.25	5.48	4.61	12	2.12
10255	2,500	1/2 - 13	1.44	0.87	1.52	0.5	0.98	5.12	3.88	2.19	0.23	2.99	3.43	1.25	5.48	4.61	28	2.12
10256	4,000	5/8 - 11	1.44	0.87	1.65	0.5	0.98	5.12	3.88	2.19	0.23	2.87	3.43	1.25	5.48	4.61	60	2.22
10257	5,000	3/4 - 10	1.44	0.87	1.77	0.5	1.23	5.12	3.88	2.19	0.23	2.74	3.43	1.25	5.48	4.61	100	2.34
10258	10,000	1 - 8	1.75	1.25	2.47	0.75	1.53	6.88	5.00	3.13	0.31	3.51	4.34	1.63	7.40	6.15	230	6.64

Metric Side-Pull Hoist Rings (Dimensions in millimeters)

Part Number	Load Capacity* (kg.)	G Thread	A	B	C	D	E (+/-3.0)	F	H	K	L	M1	M2	N	O	P	Torque** (Nm)	Weight (kg.)
10262	400	M8 x 1.25	37	22	34	13	14	121	98	56	6	74	81	32	130	117	9.5	0.93
10263	450	M10 x 1.50	37	22	36	13	24	130	99	56	6	79	87	32	139	117	16	0.96
10264	1,050	M12 x 1.75	37	22	38	13	39	130	99	56	6	77	87	32	139	117	37	0.96
10265	1,900	M16 x 2.00	37	22	42	13	39	460	99	56	6	73	87	32	139	117	80	1.01
10266	2,200	M20 x 2.50	37	22	46	13	39	130	99	56	6	69	87	32	139	117	135	1.07
10267	4,200	M24 x 3.00	22	32	61	19	43	175	127	79	8	90	110	41	188	156	311	2.73

** It is recommended that these torques be used when installing hoist rings.

* **WARNING** Do not exceed rated capacities. Be sure that sling tension does not exceed hoist ring capacity. Follow Instructions for Effect of Angle chart in HELP section of this catalog.