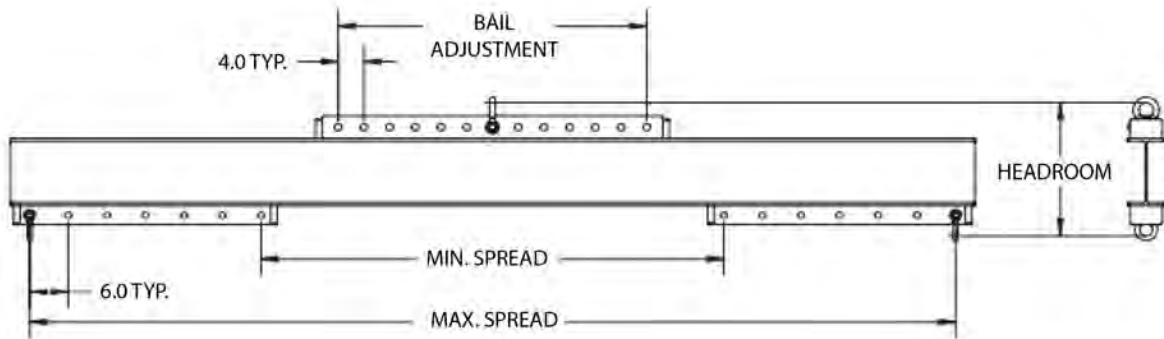


ADJUSTABLE SPREADER/LIFTING BEAM (ASLB16)

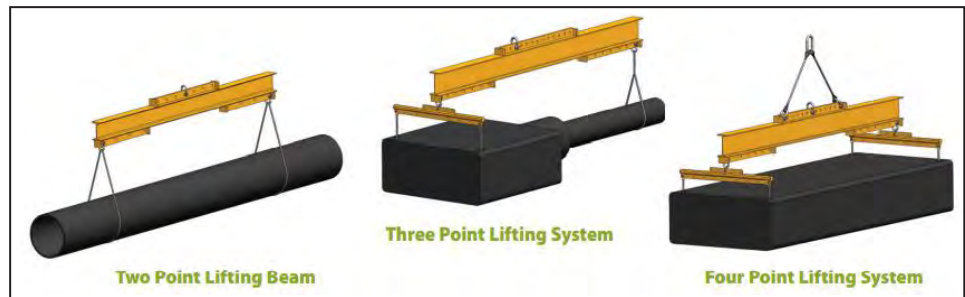


Features

- Use for 2, 3, or 4-point lifting, or as a spreader beam (optional top rigging).
- Adjustable lifting points.
- Handles both wide and unbalanced loads.
- Low headroom capability.
- Shackles included.
- 6" spread adjustments.
- 4" bail adjustments.

Options

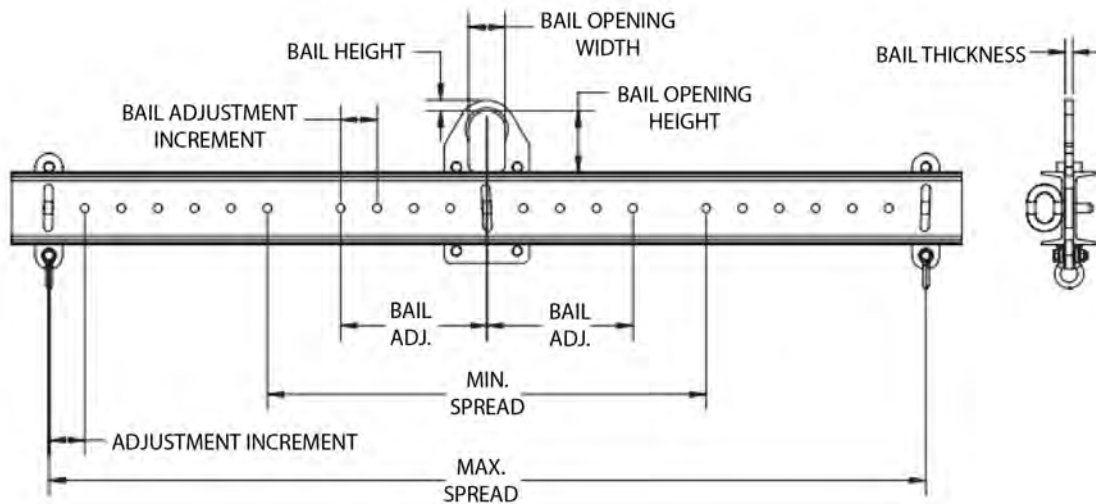
- Pair of swivel hooks*.
- Top chain rigging available.



Rated Capacity (tons)	Part Number*	Spread (ft.)		Bail Adjustment (in.)	Bolt Style Anchor Shackles (tons)		Headroom (in.)	Weight (lbs.)
		Max.	Min.		Top	Bottom		
1/4	ASLB.5X4	4	1	16	1.50	1.50	8.00	45
1/2	ASLB1X4	4	1	16	1.50	1.50	8.00	45
1/2	ASLB1X6	6	3	24	1.50	1.50	10.00	80
1/2	ASLB1X8	8	4	32	1.50	1.50	11.00	135
1/2	ASLB1X10	10	5	40	1.50	1.50	11.00	145
1	ASLB2X6	6	3	24	1.50	1.50	11.00	100
1	ASLB2X8	8	4	32	1.50	1.50	12.00	140
1	ASLB2X10	10	5	40	1.50	1.50	12.00	175
2	ASLB4X6	6	3	24	3.25	2.00	14.00	130
2	ASLB4X8	8	4	32	3.25	2.00	15.00	200
2	ASLB4X10	10	5	40	3.25	2.00	16.00	280
4	ASLB8X8	8	4	32	4.75	4.75	18.00	290
4	ASLB8X10	10	5	40	4.75	4.75	20.00	420
4	ASLB8X12	12	6	48	4.75	4.75	20.00	500
5	ASLB10X8	8	4	32	6.50	4.75	20.00	320
5	ASLB10X10	10	5	40	6.50	4.75	21.00	465
5	ASLB10X12	12	6	48	6.50	4.75	21.00	550
7	ASLB14X12	12	6	48	8.50	6.50	25.00	790

* For optional swivel hooks, add an S to part number and contact *Lift-All* for pricing.

ADJUSTABLE LIFTING BEAM (ALB17)

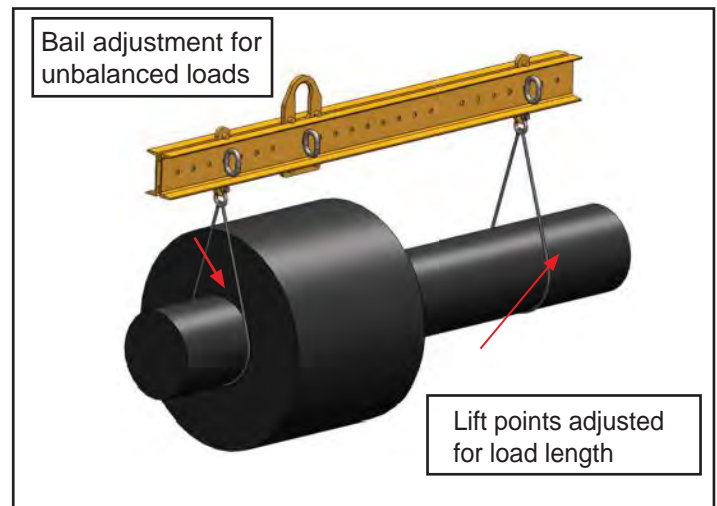


Features

- Adjust bail horizontally for lifting unbalanced loads.
- Provides clearance in low headroom applications.
- Spread adjusts in 6" increments.
- Shackles included.

Options

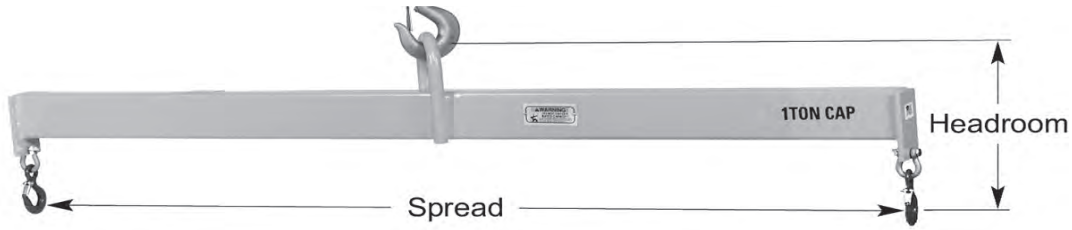
- Pair of swivel hooks*.



Rated Capacity (tons)	Part Number*	Spread (ft.)		Bail Adjustment Increments (in.)	Bail Dimensions (in.)				Headroom (in.)	Bail Travel (Half of Center)	Shackle Size	Weight (lbs.)
		Max.	Min.		Height	Opening Width	Opening Height	Thickness				
1-1/4	ALB2.5X6	6	3	3	1	3	5	0.63	14.7	12	2	120
2	ALB4X6	6	3	3	1	3	5	0.63	14.7	12	2	140
4	ALB8X8	8	4.5	6	1	4	7	0.75	19.8	18	3.25	315
5	ALB10X10	10	5	6	1	4	7	1.00	22.4	18	4.75	440

* For optional swivel hooks, add an S to part number and contact *Lift-All* for pricing.

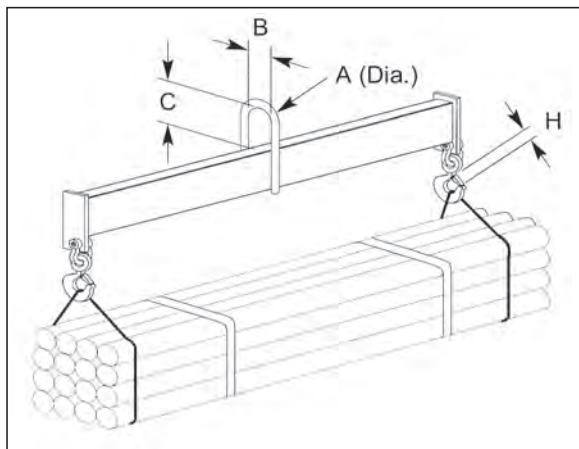
FIXED SPREAD LIFTING BEAM (FSLB19)



Rated Capacity (tons)	Part Number	Spread (ft.)	Bail Dimensions A • B • C • H (in.)	Headroom (in.)	Weight (lbs.)
1/2	FSLB1X2	2		13.75	20
	FSLB1X3	3	A • 0.75	13.75	26
	FSLB1X4	4	B • 3.00	13.75	33
	FSLB1X6	6	C • 5.00	13.75	48
	FSLB1X8	8	H • 0.89	14.75	75
	FSLB1X10	10		14.75	93
1	FSLB2X2	2		14.75	26
	FSLB2X3	3	A • 1.00	14.75	35
	FSLB2X4	4	B • 3.00	14.75	44
	FSLB2X6	6	C • 5.00	15.75	72
	FSLB2X8	8	H • 0.89	15.75	93
	FSLB2X10	10		16.75	131
2	FSLB4X3	3	A • 1.00	16.75	45
	FSLB4X4	4	B • 3.00	17.75	55
	FSLB4X6	6	C • 5.00	19.75	108
	FSLB4X8	8	H • 1.00	19.75	140
	FSLB4X10	10		19.75	188
3	FSLB6X3	3	A • 1.50	18.50	58
	FSLB6X4	4	B • 4.00	20.50	87
	FSLB6X6	6	C • 7.00	20.50	118
	FSLB6X8	8	H • 1.00	20.50	222
	FSLB6X10	10		20.50	272

Features

- Fixed spread.
- Eye hooks with latches.
- Sealed construction for cleaner beam.

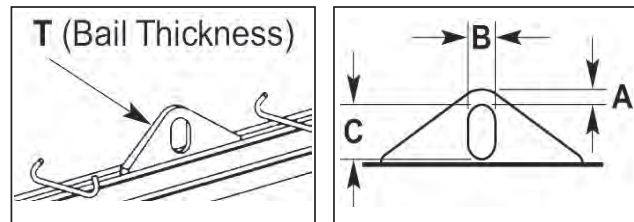


BASKET SLING LIFTING BEAM (BSLB18)



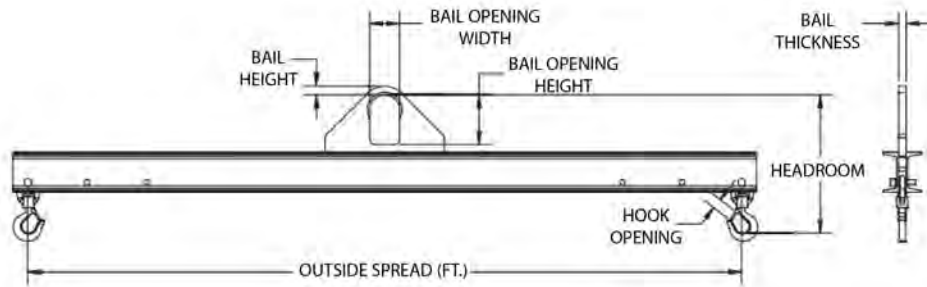
Features

- Best beam for low headroom applications.
- Fixed spread.
- Bent bar hooks allow for 2" wide sling eyes:
 - One set for 3' and 4' spreads.
 - Two sets for 6' through 12' spreads.
- Spread 2 is one-half of spread 1.



Rated Capacity (tons)	Part Number	Spread (ft.)	Bail Dimensions A • B • C • T (in.)	Headroom (in.)	Weight (lbs.)
1/2	BSLB1X3	3		8.50	40
	BSLB1X4	4	A • 0.88	8.50	48
	BSLB1X6	6	B • 3.00	8.50	78
	BSLB1X8	8	C • 5.00	8.50	95
	BSLB1X10	10	T • 0.75	8.50	113
	BSLB1X12	12		9.50	171
1	BSLB2X3	3		8.50	40
	BSLB2X4	4	A • 0.88	8.50	48
	BSLB2X6	6	B • 3.00	9.50	93
	BSLB2X8	8	C • 5.00	10.50	136
	BSLB2X10	10	T • 0.75	10.50	175
	BSLB2X12	12		11.50	239
2	BSLB4X3	3		9.50	52
	BSLB4X4	4	A • 0.88	10.50	75
	BSLB4X6	6	B • 3.00	10.50	139
	BSLB4X8	8	C • 5.00	11.50	169
	BSLB4X10	10	T • 0.75	12.50	246
	BSLB4X12	12		13.50	326
5	BSLB10X3	3		13.50	104
	BSLB10X4	4	A • 2.00	14.50	135
	BSLB10X6	6	B • 4.00	15.50	211
	BSLB10X8	8	C • 7.00	16.50	310
	BSLB10X10	10	T • 1.25	17.50	423
	BSLB10X12	12		19.50	618

LOW HEADROOM MULTIPLE SPREAD LIFTING BEAM (LHLB20)



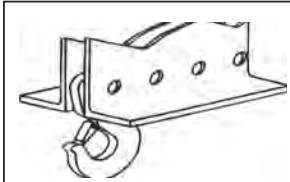
Features

- Great for low headroom applications.
- Swivel hooks with latches are standard.
- 3' & 4' beams have two spreads.
- Beams 6' and longer have three spreads.
- Inner spread lengths are shorter than outer spreads by 1' increments.
- Additional or custom hole configuration available.

Rated Capacity (tons)	Part Number	Spread (ft.)	Bail Dimensions (in.)				Hook Opening	Headroom (in.)	Weight (lbs.)
			Bail Height	Opening Width	Opening Height	Thickness			
1/2	LHLB1X3	3	0.88	3	5	0.75	0.91	13	40
	LHLB1X4	4					0.91	13	50
	LHLB1X6	6					0.91	13	65
	LHLB1X8	8					0.91	13	80
	LHLB1X10	10					0.91	14	125
	LHLB1X12	12					0.91	14	145
	LHLB1X14	14					0.91	15	210
	LHLB1X16	16					0.91	16	360
	LHLB1X18	18					0.91	18	465
	LHLB1X20	20					0.91	20	490
	LHLB1X24	24					0.91	24	765
	LHLB1X30	30					0.91	30	1280
	1	LHLB2X3					3	0.88	3
LHLB2X4		4	0.91	13	50				
LHLB2X6		6	0.91	14	80				
LHLB2X8		8	0.91	14	105				
LHLB2X10		10	0.91	15	150				
LHLB2X12		12	0.91	16	275				
LHLB2X14		14	0.91	17	365				
LHLB2X16		16	0.91	18	390				
LHLB2X18		18	0.91	19	505				
LHLB2X20		20	0.91	20	640				
LHLB2X24		24	0.91	22	1025				
2	LHLB4X3	3	0.88	3	5	0.75	0.91	13	40
	LHLB4X4	4					0.91	14	60
	LHLB4X6	6					0.91	15	95
	LHLB4X8	8					0.91	16	150
	LHLB4X10	10					0.91	17	265
	LHLB4X12	12					0.91	18	295
	LHLB4X14	14					0.91	19	400
	LHLB4X16	16					1.00	22	690
	LHLB4X18	18					1.00	22	775
	LHLB4X20	20					1.00	22	860
	LHLB4X24	24					1.00	22	1665

LOW HEADROOM MULTIPLE SPREAD LIFTING BEAM (LHLB20)

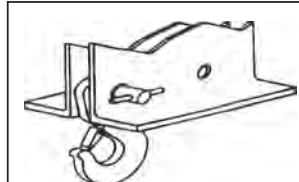
Options:



Extra Holes

Allows for extra hook positions in addition to the standard holes.

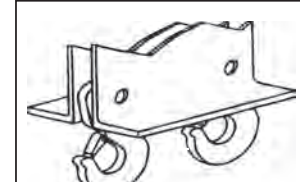
Specify number and spread.



FasPins

Allows for easy repositioning of hooks.

Recommended for frequent hook position changes.



Extra Hooks

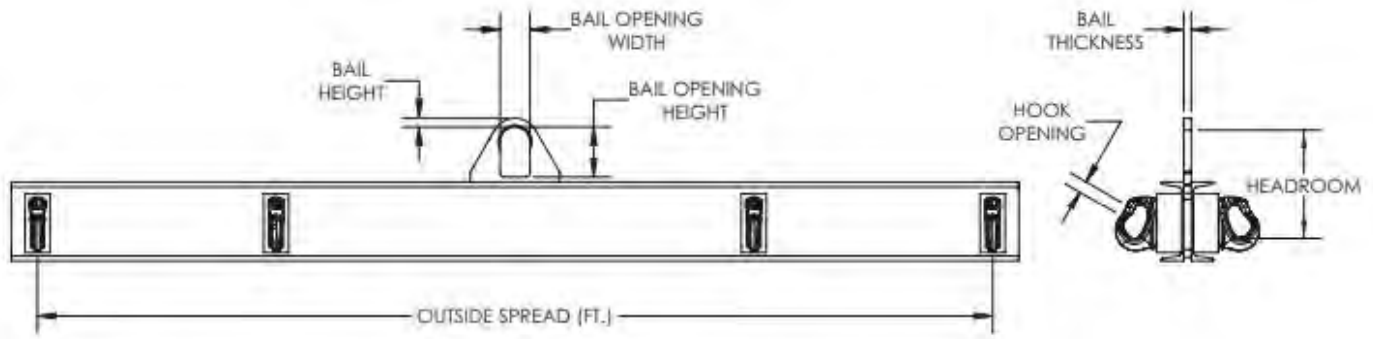
Allows for multiple pick points.

Saves time from having to move hooks.

Rated Capacity (tons)	Part Number	Spread (ft.)	Bail Dimensions (in.)				Hook Opening	Headroom (in.)	Weight (lbs.)
			Height	Opening Width	Opening Height	Thickness			
3	LHLB6X3	3	1.25	3	5	1	1	14	55
	LHLB6X4	4					1	15	80
	LHLB6X6	6					1	16	155
	LHLB6X8	8					1	17	225
	LHLB6X10	10					1	18	260
	LHLB6X12	12					1	20	400
	LHLB6X14	14					1	22	620
	LHLB6X16	16					1	22	705
	LHLB6X18	18					1.36	26	1280
	LHLB6X20	20					1.36	26	1420
LHLB6X24	24	1.36	26	1690					
5	LHLB10X3	3	2	4	7	1.25	1.36	18	100
	LHLB10X4	4					1.36	19	145
	LHLB10X6	6					1.36	20	210
	LHLB10X8	8					1.36	22	280
	LHLB10X10	10					1.36	24	380
	LHLB10X12	12					1.36	25	570
	LHLB10X14	14					1.61	30	1045
	LHLB10X16	16					1.61	30	1185
	LHLB10X18	18					1.61	30	1325
	LHLB10X20	20					1.61	30	1470
LHLB10X24	24	1.61	33	2320					
7-1/2	LHLB15X3	3	2	4	7	1.25	1.61	21	130
	LHLB15X4	4						22	170
	LHLB15X6	6						24	235
	LHLB15X8	8						25	320
	LHLB15X10	10						27	495
	LHLB15X12	12						30	900
	LHLB15X14	14						30	1050
	LHLB15X16	16						30	1190
LHLB15X18	18	33	1640						
10	LHLB20X3	3	2.5	5	9	1.50	2.08	22	145
	LHLB20X4	4						23	165
	LHLB20X6	6						25	260
	LHLB20X8	8						27	410
	LHLB20X10	10						30	770
	LHLB20X12	12						30	910
	LHLB20X14	14						30	1055
	LHLB20X16	16						33	1475
LHLB20X18	18	33	1985						

General Information
Web Slings
Round Slings
Slings Protection
Wire Rope
Chain Slings
Rigging Hardware
Mesh Slings
Load Huggers
Tow Products
Lift-All Hoists
Hoist Rings
Plate Clamps
Lifting Devices

HEAVY DUTY TWIN BASKET SLING LIFTING BEAM (HDLB22)

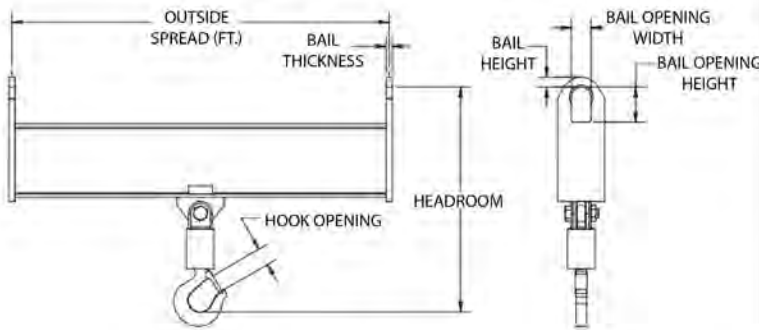


Features

- For use with slings in a basket hitch.
- Latch hooks designed to minimize sling eye damage.
- One set of fixed hooks standard for 3' and 4' lengths (total of 4-hooks).
- Two sets of fixed hooks standard for all lengths over 4' (total of 8-hooks).
- Inner spread is one-half of outer spread.
- Extra spreads available upon request.

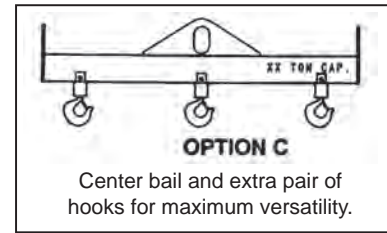
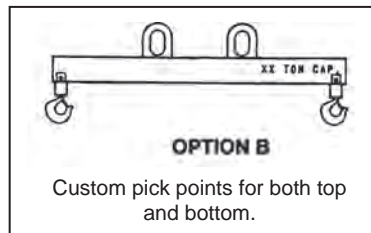
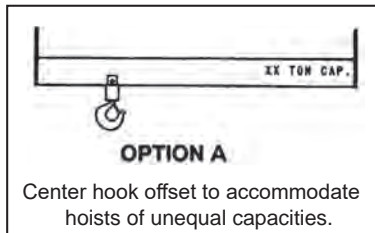
Rated Capacity (tons)	Part Number	Spread (ft.)	Bail Dimensions (in.)				Hook Opening	Headroom (in.)	Weight (lbs.)
			Height	Opening Width	Opening Height	Thickness			
1/2	HDLB1X3	3	0.88	3	5	0.75	1.06	9	53
	HDLB1X4	4							
	HDLB1X6	6							
	HDLB1X8	8							
	HDLB1X10	10							
	HDLB1X12	12							
1	HDLB2X3	3	0.88	3	5	0.75	1.13	9	53
	HDLB2X4	4							
	HDLB2X6	6							
	HDLB2X8	8							
	HDLB2X10	10							
	HDLB2X12	12							
2	HDLB4X3	3	0.88	3	5	0.75	1.13	10	74
	HDLB4X4	4							
	HDLB4X6	6							
	HDLB4X8	8							
	HDLB4X10	10							
	HDLB4X12	12							
5	HDLB10X3	3	2	4	7	1	1.13	14	95
	HDLB10X4	4							
	HDLB10X6	6							
	HDLB10X8	8							
	HDLB10X10	10							
	HDLB10X12	12							
7-1/2	HDLB15X3	3	2	4	7	1.25	1.75	15	158
	HDLB15X4	4							
	HDLB15X6	6							
	HDLB15X8	8							
	HDLB15X10	10							
	HDLB15X12	12							
10	HDLB20X3	3	2	4	7	1.25	1.75	16	163
	HDLB20X4	4							
	HDLB20X6	6							
	HDLB20X8	8							
	HDLB20X10	10							
	HDLB20X12	12							

TWIN HOIST LIFTING BEAM (THLB25)



Features

- Use two (or more) hoists to increase lifting stability.
- Swivel hook with latch standard.
- Multiple options available.

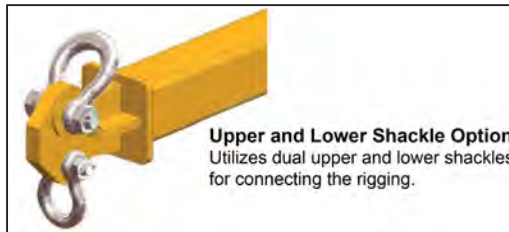
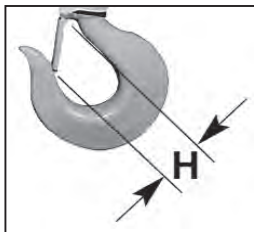
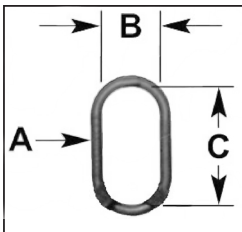
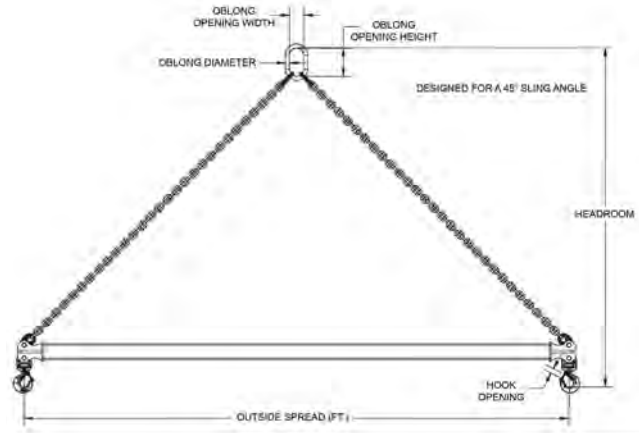


Rated Capacity (tons)	Part Number	Spread (ft.)	Bail Dimensions (in.)				Hook Opening	Headroom (in.)	Weight (lbs.)
			Height	Opening Width	Opening Height	Thickness			
2	THLB4X6	6	1.5	3	5	0.63	1.09	17	125
	THLB4X8	8							160
	THLB4X10	10							240
	THLB4X12	12							280
	THLB4X14	14							360
	THLB4X16	16							400
4	THLB8X6	6	1.5	3	5	0.63	1.61	20	160
	THLB8X8	8							240
	THLB8X10	10							310
	THLB8X12	12							410
	THLB8X14	14							500
	THLB8X16	16							725
6	THLB12X6	6	1.5	3	5	0.75	2.08	28	220
	THLB12X8	8							300
	THLB12X10	10							380
	THLB12X12	12							550
	THLB12X14	14							640
	THLB12X16	16							780
10	THLB20X6	6	2	4	7	1	2.27	29	340
	THLB20X8	8							420
	THLB20X10	10							800
	THLB20X12	12							920
	THLB20X14	14							1100
	THLB20X16	16							1220
15	THLB30X8	8	2	4	7	1.25	3.02	38	814
	THLB30X10	10							952
	THLB30X12	12							1155
	THLB30X14	14							2123
	THLB30X16	16							2374
20	THLB40X8	8	2	4	7	1.25	3.02	36	913
	THLB40X10	10							1243
	THLB40X12	12							1393
	THLB40X14	14							2119
	THLB40X16	16							2416

FIXED SPREADER BEAM (FSB30)

Features

- Ideal where headroom is not limited.
- Adds stability to lift.
- Chain rigging standard.
- Wire rope rigging is available.
- *Adjust-A-Link* rigging available for additional flexibility.



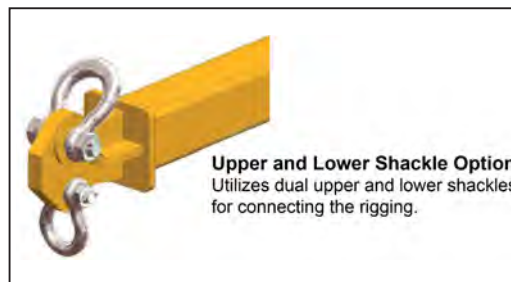
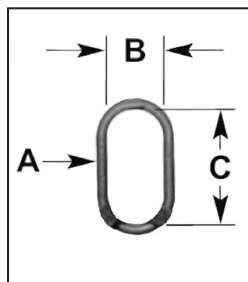
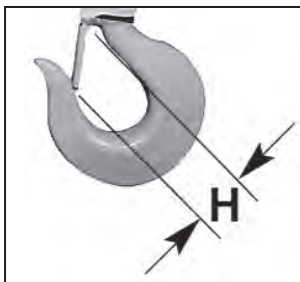
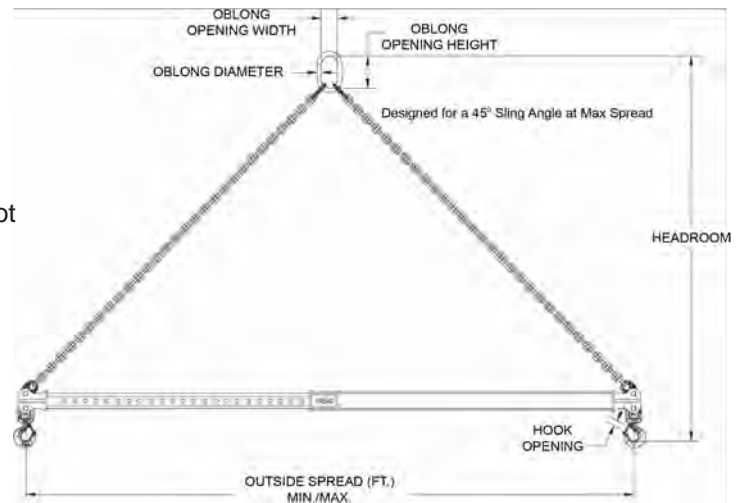
Rated Capacity (tons)	Part Number*	Spread (ft.)	Bail Dimensions (in.)			Hook Opening (H)	Headroom @45° (in.)	Weight (lbs.)	
			Oblong Diameter (A)	Oblong Opening Width (B)	Oblong Opening Height (C)			Beam & Hook	Chain Top Rigging
2	FSB4X4	4	0.63	3	6	0.91	36	45	12
	FSB4X6	6					48	60	15
	FSB4X8	8					61	82	20
	FSB4X10	10					74	95	25
	FSB4X12	12					86	115	30
	FSB4X16	16					111	225	40
	FSB4X20	20					139	408	50
FSB4X24	24	164	445	60					
5	FSB10X4	4	1	3.5	7	1.36	39	62	25
	FSB10X6	6					51	78	32
	FSB10X8	8					64	100	39
	FSB10X10	10					77	117	46
	FSB10X12	12					87	168	53
	FSB10X16	16					116	305	67
	FSB10X20	20					141	435	81
FSB10X24	24	166	661	95					
10	FSB20X4	4	1.25	4.38	8.75	1.60	43	100	40
	FSB20X6	6					56	122	52
	FSB20X8	8					67	156	64
	FSB20X10	10					81	180	76
	FSB20X12	12					90	240	88
	FSB20X16	16					119	380	112
	FSB20X20	20					145	532	136
FSB20X24	24	171	915	160					

* Add W to the part number for wire rope rigging; add A to the part number for *Adjust-A-Link* rigging.

ADJUSTABLE SPREADER BEAM (ASB32)

Features

- Great versatility and stability where headroom is not limited.
- Chain rigging standard.
- Wire rope rigging available.
- Telescoping spread adjusts in 1-inch increments.

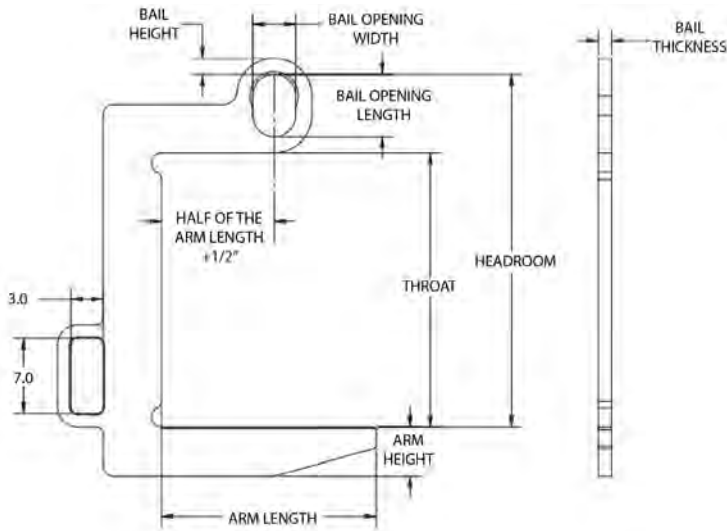


Rated Capacity (tons)	Part Number*	Spread (ft.)	Bail Dimensions (in.)			Hook Opening (H)	Headroom Min. / Max. (in.)	Weight (lbs.)	
			Oblong Diameter (A)	Oblong Opening Width (B)	Oblong Opening Height (C)			Beam & Hook	Chain Top Rigging
2	ASB4X4-6	4 to 6	0.63	3	6	0.91	50 / 60	70	15
	ASB4X6-10	6 to 10					76 / 92	85	25
	ASB4X8-14	8 to 14					101 / 119	175	35
	ASB4X12-20	12 to 20					139 / 174	245	50
5	ASB10X4-6	4 to 6	1	3.5	7	1.36	58 / 67	105	32
	ASB10X6-10	6 to 10					83 / 100	160	46
	ASB10X8-14	8 to 14					107 / 132	205	60
	ASB10X12-20	12 to 20					145 / 181	670	81
10	ASB20X4-6	4 to 6	1.25	4.38	8.75	1.61	63 / 72	95	52
	ASB20X6-10	6 to 10					78 / 117	175	76
	ASB20X8-14	8 to 14					113 / 139	460	100
	ASB20X12-20	12 to 20					151 / 171	680	136
15	ASB30X4-6	4 to 6	1.50	5.25	10.50	2.08	67 / 76	165	75
	ASB30X6-10	6 to 10					91 / 109	365	109
	ASB30X8-14	8 to 14					117 / 142	478	143
	ASB30X12-20	12 to 20					154 / 189	700	194

* Add W to part number for wire rope rigging.

General Information
Web Slings
Round Slings
Sling Protection
Wire Rope
Chain Slings
Rigging Hardware
Mesh Slings
Load Huggers
Tow Products
Lift-All Hoists
Hoist Rings
Plate Clamps
Lifting Devices

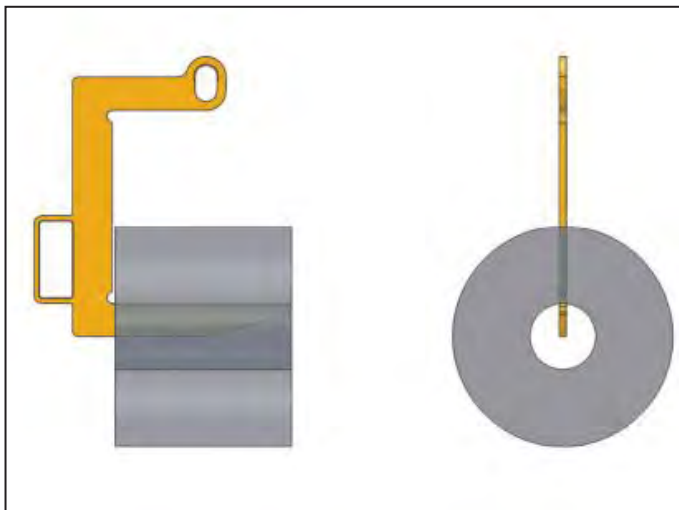
DIXON COIL HOOK WITH PIVOTING WEDGE (DCH80)



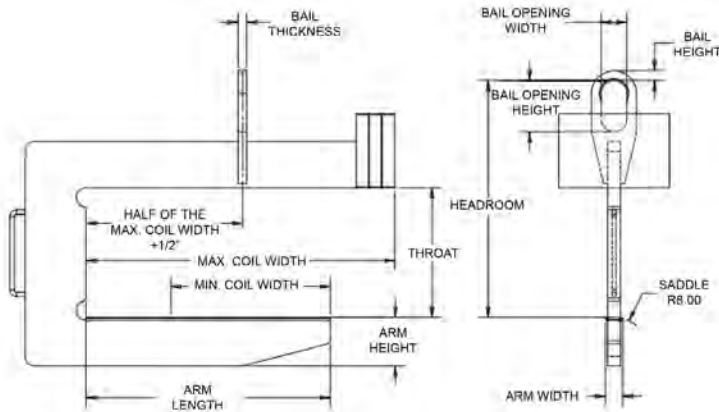
Features

- For easy upending of coils from horizontal to vertical.
- Pivoting wedge great for lifting stacked coils.
- Wedge also acts as a coil retainer.
- Great for use with small, lightweight coils.
- Good for limited overhead clearance.
- Standard handle for easier coil positioning.

Rated Capacity (tons)	Part Number	Max. Coil Width (in.)	Lift Arm Length (in.)	Lift Arm Height (in.)	Throat Opening Height (in.)	Bail Dimensions (in.)				Headroom	Weight (lbs.)
						Height	Opening Width	Opening Height	Thickness		
1/2	DCH1X6	8	8	2.25	14.5	0.75	2	3.25	0.5	18.6	13
1/2	DCH1X12	12	12	2.25	14.5	0.75	2	3.25	0.5	18.6	14
1	DCH2X8	8	8	2.25	17.5	0.81	2	3.25	0.5	21.6	15
2	DCH4X10	16	16	3.25	19.5	1	2.63	4	0.75	24.5	41
3-1/2	DCH7X12	12	12	3.25	21.5	1.19	3.63	5.5	1	28.2	57



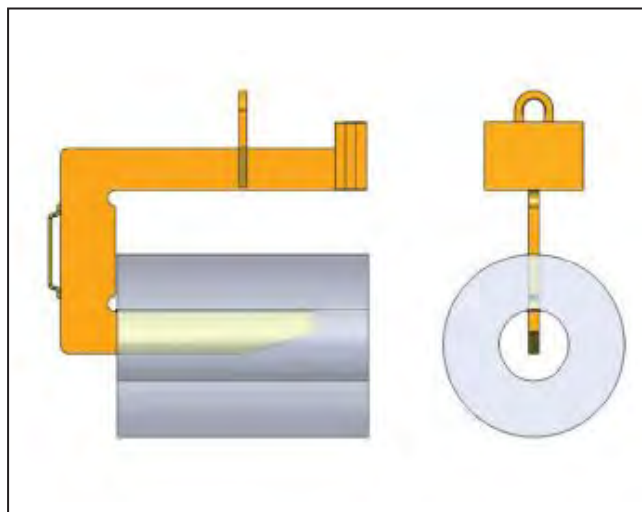
HEAVY DUTY COIL HOOK (HDCH82)



Features

- Designed for heavy duty applications.
- High tensile alloy steel plate reduces physical size and weight.
- Counter balanced to hang level when empty.
- Inside radius on hooks to avoid coil edge contact.
- Guide handles for ease of hook positioning.
- Handles a wide range of coil widths.
- Available with optional padding for additional coil protection.

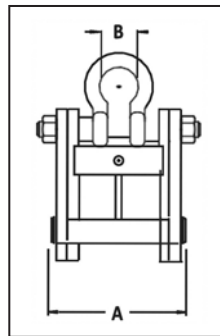
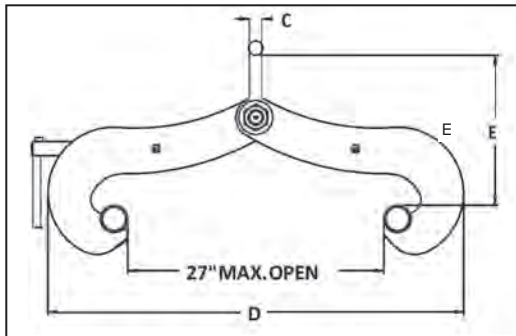
Rated Capacity (tons)	Part Number	Coil Width Min. / Max. (in.)	Lift Arm Dimensions (in.)			Throat Opening Height (in.)	Bail Dimensions (in.)				Headroom (in.)	Weight (lbs.)
			Length	Width	Height		Height	Opening Width	Opening Height	Thickness		
5	HDCH10X36	24 / 36	30	4	6.25	24	1.50	4	7	1.25	38.00	500
	HDCH10X48	30 / 48	39	4	6.25	24	1.50	4	7	1.25	38.00	730
	HDCH10X60	36 / 60	48	4	7.00	24	1.50	4	7	1.25	38.80	885
7-1/2	HDCH15X36	24 / 36	30	4	6.50	24	1.50	4	7	1.50	38.30	725
	HDCH15X48	30 / 48	39	4	7.25	24	1.50	4	7	1.50	39.00	875
	HDCH15X60	36 / 60	48	4	8.00	24	1.50	4	7	1.50	42.50	1060
10	HDCH20X48	30 / 48	39	4	8.25	24	2.00	5	9	1.75	42.50	1060
	HDCH20X60	36 / 60	48	4	8.25	24	2.00	5	9	1.75	43.30	1425
	HDCH20X72	42 / 72	57	4	9.00	24	2.00	5	9	1.75	49.30	1670
15	HDCH30X48	30 / 48	39	4	9.00	30	2.00	5	9	1.75	49.30	1615
	HDCH30X60	36 / 60	48	4	10.00	30	2.00	5	9	1.75	50.30	1925
	HDCH30X72	42 / 72	57	4	10.75	30	2.00	5	9	1.75	51.00	2220
20	HDCH40X60	36 / 60	48	4	10.50	30	2.25	6	12	2.0	54.00	2520
	HDCH40X72	42 / 72	57	4	11.50	30	2.25	6	12	2.0	55.00	2950



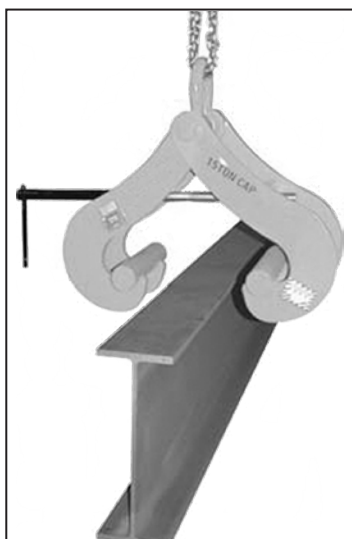
GIRDER CLAMPS (Use for Vertical Lifting Only)

Features

- Efficiently handles wide flange beam sections and plate girders.
- Design ensures positive grip and minimum maintenance.
- Thread screw spindles allow for quick clamping and unclamping.



Part Number	Rated Capacity (tons)	Dimensions (in.)								
		Flange Width		Max. Flange Thickness	A	B	C	D Min. - Max.	E Min. - Max.	Weight (lbs.)
		Min.	Max.							
GC15	15	6	24	3	14.81	3.90	1.60	23 - 44	15.7 - 23.4	234
GC20	20	6	24	3	14.81	5.00	2.10	23 - 44	18.3 - 25.9	291
GC25	25	6	24	3	14.81	5.00	2.10	23 - 44	18.3 - 25.9	342

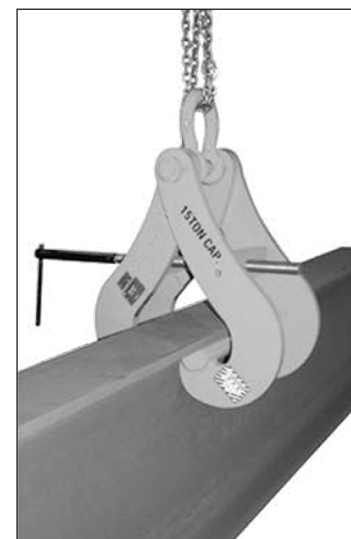


WARNING

Use for vertical lifting only

For lifting and positioning structural beams.

Can be used in pairs in conjunction with a spreader beam for additional stability.



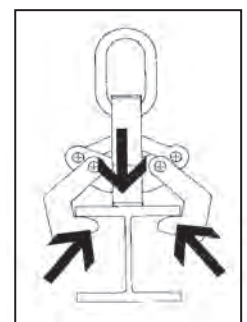
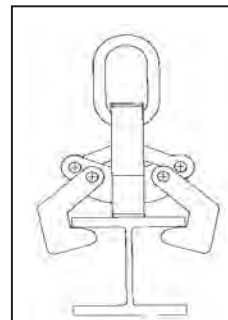
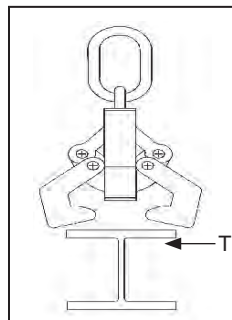
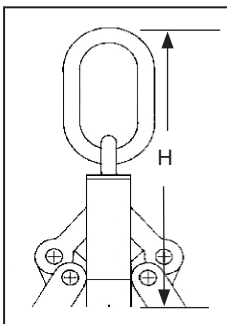
BEAM GRAB (F)

For Vertical Lifting Only (Not Suspension)

Features

- Heavy-duty design for lifting wide flange beams and plate girders.
- Recessed base accepts studs in beam surface.
- Eliminates need for slings, chokers and spreader bars.

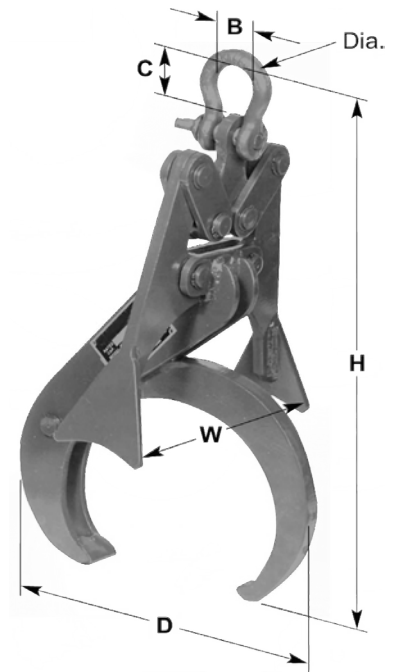
Rated Capacity (tons)	Part Number	Unit Height H (in.)	Flange Width W (in.)		Flange Thickness T (in.)		Weight (lbs.)
			Min.	Max.	Min.	Max.	
5	F5	22.7	4	4	0.25	0.25	68
			5	5	0.25	0.38	
			6	10	0.25	1.00	
15	F15	30.1	7	7	0.50	0.75	182
			8	8	0.50	1.00	
			9	10	0.50	1.25	
			11	17	0.25	2.00	
25	F25	44.8	16	17	1.25	3.00	541
			18	24	1.00	3.00	
35	F35	52.9	16	18	2.25	4.00	841
			20	22	2.00	4.00	
			24	26	1.75	4.00	
			28	36	1.00	4.00	



Operation:

1. Lower grab onto beam.
2. Lift arms, if necessary, to slide under beam flange.
3. As beam is lifted, pressure forces arms together to secure beam.
4. The heavier the beam, the greater the clamping force.

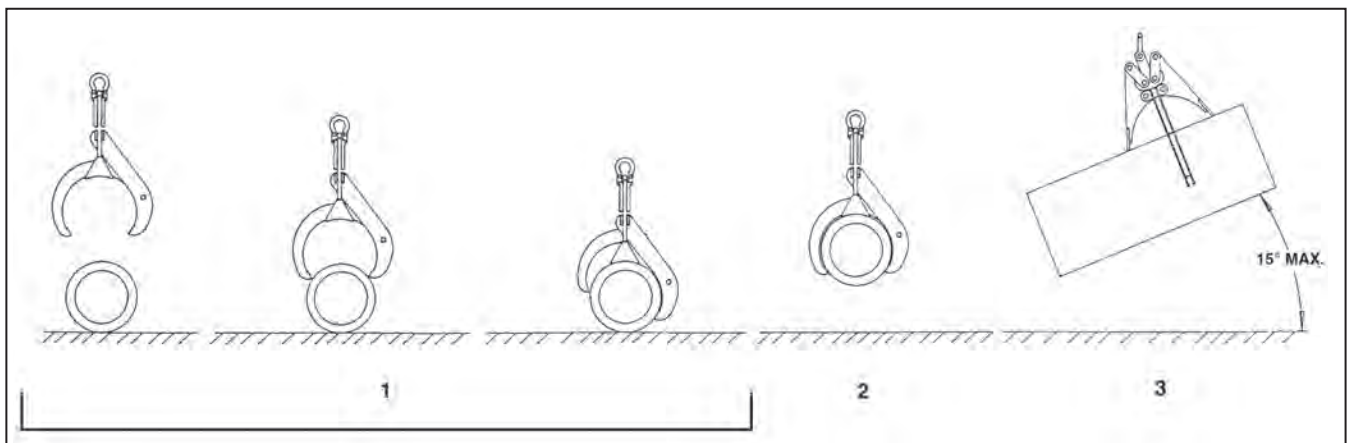
PIPE GRAB (C OR S) (For Cast Iron or Steel Pipe only)



Features

- Automatically clamps to pipe when lowered onto it.
- Movable outriggers stabilize the pipe during lift.
- No blocking required.
- Quick and efficient handling of properly balanced pipe.

Rated Capacity (lbs.)	Cast Iron		Steel		Height H (in.)	Width W (in.)	Depth D (in.)	Shackle Dimensions (in.) Dia. • B • C	Weight (lbs.)
	Part Number	Pipe OD (in.)	Part Number	Pipe OD (in.)					
450	C3	4.00	S3	3.50	10	5	6	0.38 • 1.03 • 1.44	7
600	C4	4.80	S4	4.50	14	8	7	0.44 • 1.16 • 1.69	9
1000	C6	6.90	S6	6.63	17	11	11	0.50 • 1.31 • 1.88	15
1400	C8	9.05	S8	8.63	22	13	14	0.50 • 1.31 • 1.88	25



Operation:

1. Lower grab onto approximate center of pipe. Grab will open and seat on pipe.
2. Lift slowly to check for pipe balance. Never exceed a 15° angle.
3. If angle exceeds 15°, lower pipe and reposition grab.

PIPE TONGS (PTL)

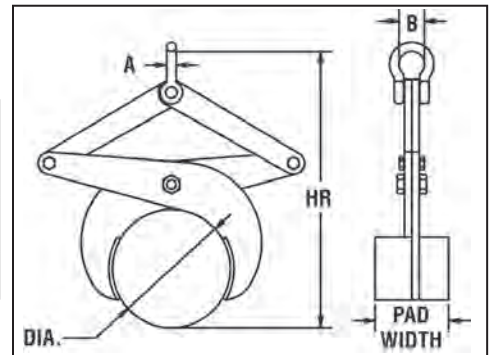
For Vertical Lifting Only (not Suspension)



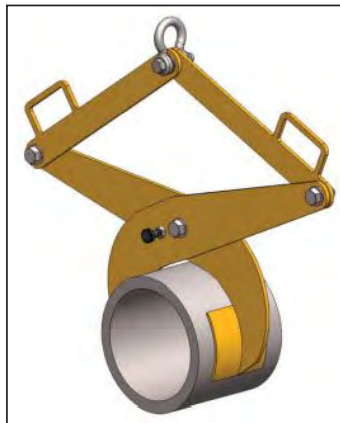
Features

- Pipe Tongs are made to handle pipes, round bars, castings, etc.
- Tongs are provided with bare steel curved gripping arms.
- Optional replaceable urethane pads available to protect smooth or polished surfaces.
- May be used in pairs with a lifting beam for added stability.
- Adjustable Pipe Tongs are proof-tested to 125% capacity with certificates supplied at no additional charge.

FIXED DIAMETER						
Rated Capacity (lbs.)	Part Number	Dia. (in.)	Headroom Minimum (in.)	A (in.)	B (in.)	Weight (lbs.)
1000	PTLF5	5	15.50	0.50	1.31	17
2000	PTLF8	8	23.50	0.50	1.31	25



ADJUSTABLE DIAMETER									
Rated Capacity (lbs.)	Part Number	Bare Steel Range Min. / Max. (in.)	Urethane Pad Range Min. / Max. (in.)	Headroom Range Min. / Max. (in.)	Pad Width (in.)	Bail Height (in.)	Bail Opening Width (in.)	Bail Opening Height (in.)	Weight (lbs.)
1000	PTLA4	2.50 / 4.00	1.75 - 3.25	13 - 15	2.25	0.63	1.69	1.69	10
2000	PTLA8	4.00 / 7.00	3.25 - 6.25	21 - 24	5.00	0.63	1.69	1.69	25
2000	PTLA12	7.00 / 12.00	6.25 - 11.25	34 - 38	6.00	0.75	2	2	55
2000	PTLA15	10.00 / 15.00	9.25 - 14.25	25 - 35	6.00	0.75	2.25	3.25	120



WARNING

Decreasing the load by bumping or substantial imbalance can, under certain circumstances, loosen the grip. Do not use in diameters other than those specified on nameplate.

General Information
 Web Slings
 Round Slings
 Sling Protection
 Wire Rope
 Chain Slings
 Rigging Hardware
 Mesh Slings
 Load Huggers
 Tow Products
 Lift-All Hoists
 Hoist Rings
 Plate Clamps
 Lifting Devices

CONCRETE MANHOLE HOUSING LIFTER (MHL)

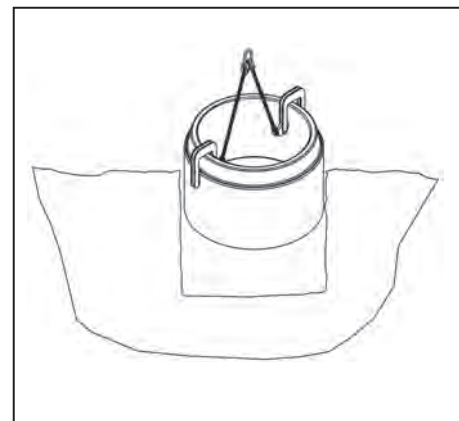
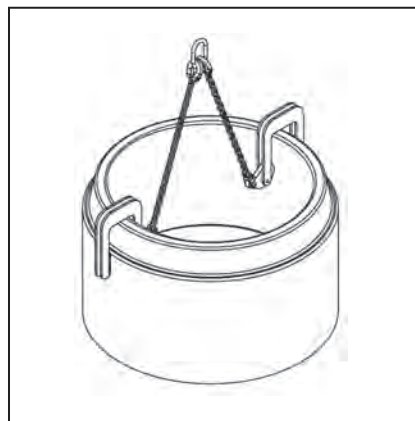
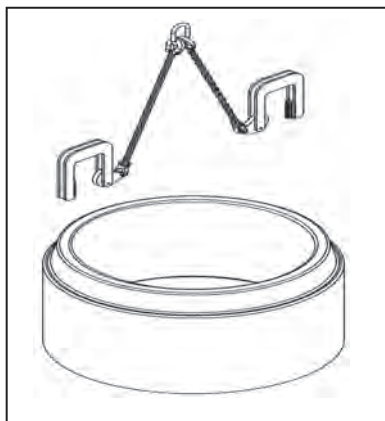
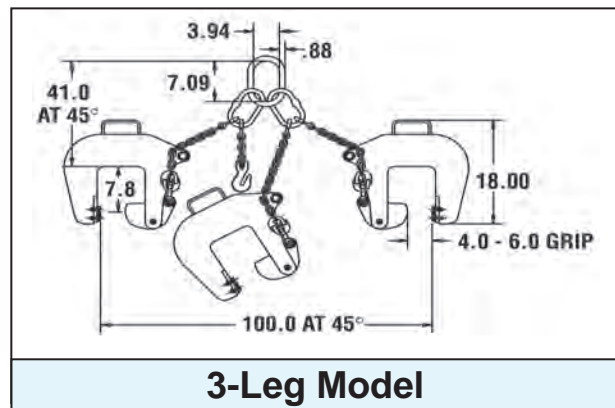
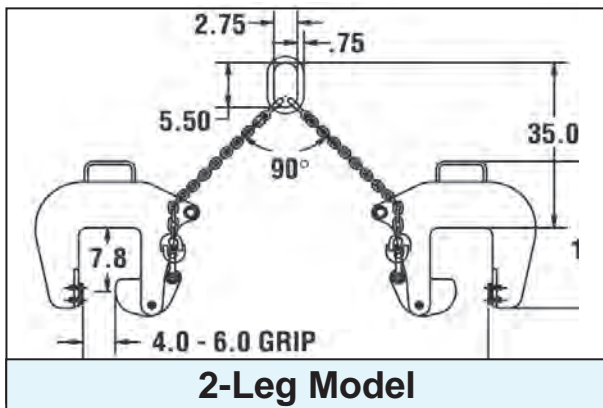
Features

- Designed for 4"- 6" concrete wall thickness.
- Will not damage concrete seat.
- Legs can be quickly positioned to balance load.
- 2-leg and 3-leg models available.
- Conforms to ASME B30.9 & B30.20.



Note: Constant tension is required to maintain positive load contact.

Rated Capacity (lbs.)	Part Number	Description	Max. Dia.	Weight (lbs.)
10,000	MHL5	2-Leg Model (42" each leg)	92.5	131
15,000	MHL7-1/2	3-Leg Model (2 legs @ 42", 1 leg @ 72" with chain shortener)	101	181
5,000	MHLC	Clamp Only	—	45



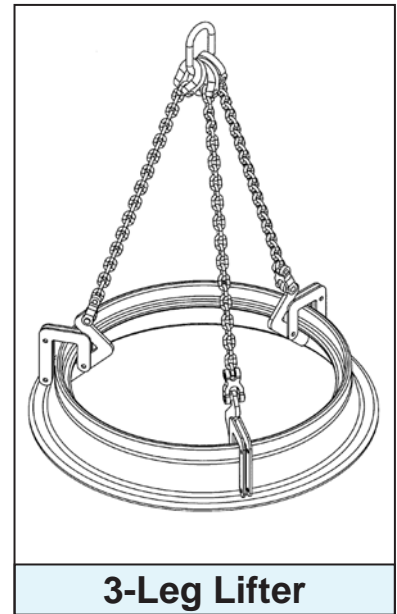
MANHOLE SLEEVE LIFTER (MCL)



2-Leg Lifter

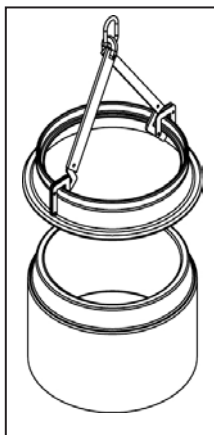
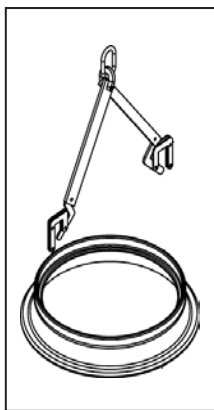
Features

- Easy to attach and release from sleeve.
- The quick and easy way to place cast manhole sleeves.
- 2-leg or 3-leg models available.

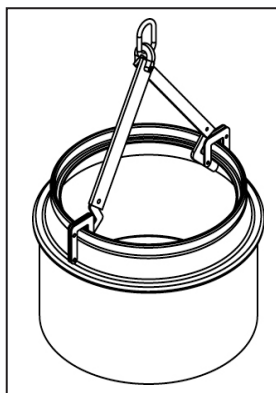
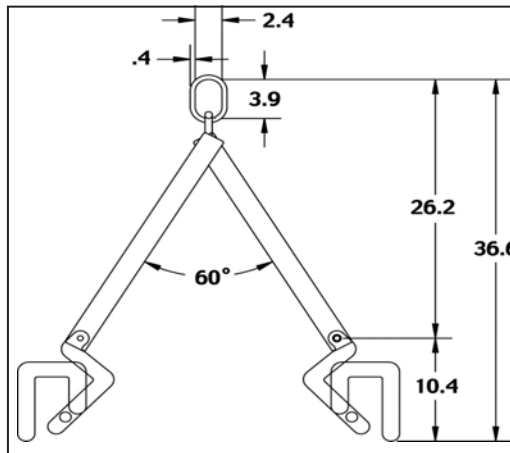


3-Leg Lifter

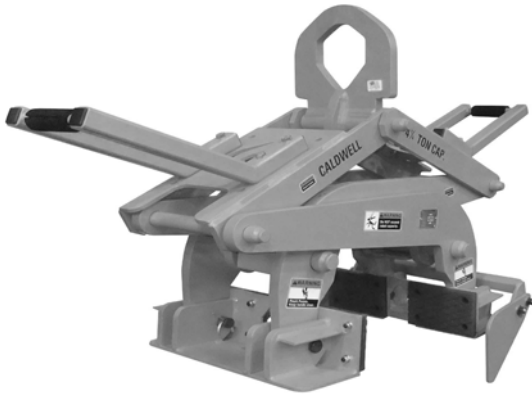
Note: Flange diameter range is 12" - 30"



Rated Capacity (lbs.)	Part Number	Description	Weight (lbs.)
1,000	MCL1/2	2-Leg Model	24
1,500	MCL3/4	3-Leg Model (2-legs @ 18", 1-leg @ 30" with chain shortener)	26



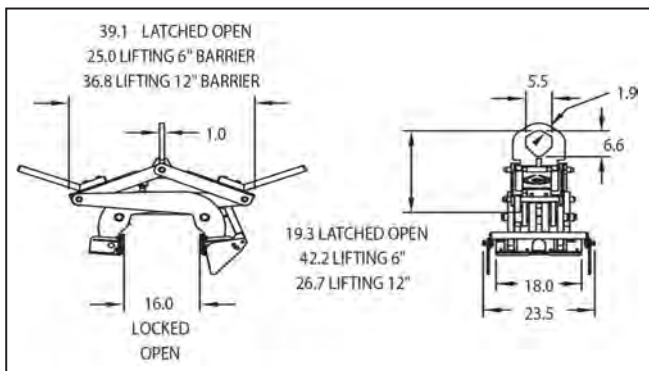
BARRIER LIFTING GRAB (BRG74)



Features

- Compact and rugged design.
- Grabs concrete barriers from 6"–12" nominal width at the top of barrier.
- Stainless steel auto-latch designed to ensure proper alignment.
- Locating assembly orients tong on barrier without operator intervention and will pivot when grab is set on the ground.
- Gripping pads pivot to conform with the load.
- Replaceable polyurethane pads protect barrier.
- Alloy steel dog point pads bite into painted barrier surfaces (typical in coastal areas).
- Centering guide cut out on grab shoe helps to properly center tong over barrier for a level lift.
- Extended handles on each side keep operator away from load and can be adjusted as needed.
- Lifting eye allows for easy hook attachment, self-centers rigging, and will accommodate a fork.

Rated Capacity (lbs.)	Part Number	Weight (lbs.)
With Polyurethane Lifting Pads		
8,500	BRG74-4.25	602
14,500	BRG74-7.25	652
With Steel Dog Point Lifting Pads		
8,500	BRG74-4.25DP	602
14,500	BRG74-7.25DP	652



OPERATION

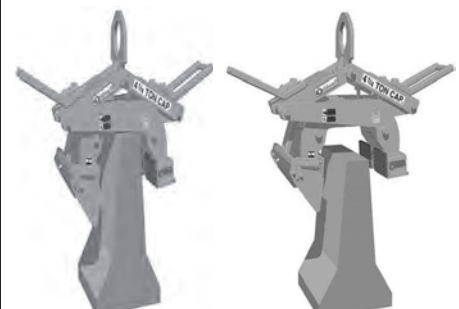
Place tong on barrier, lower crane completely to disengage the auto-latch.



Lift and position barrier in desired location.



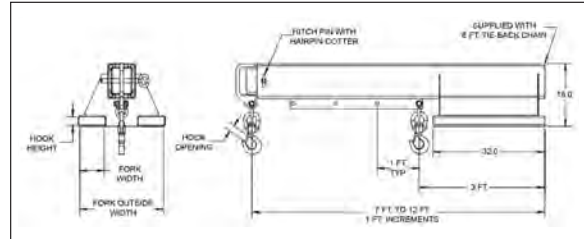
Lower crane (line must go slack to engage auto-latch), lift tong off barrier and repeat!



TELESCOPING FORKLIFT BOOMS (TFLB)

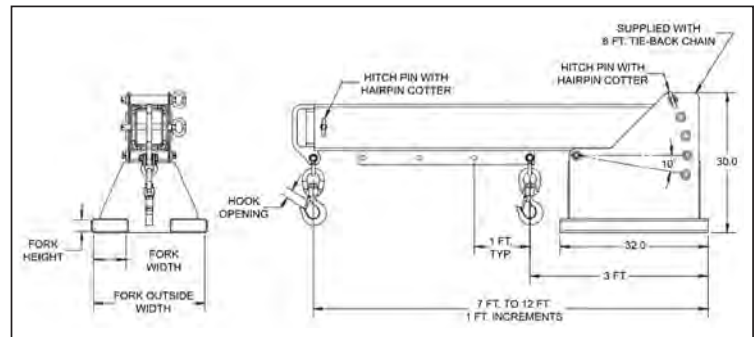
Features

- Telescoping boom for versatility.
- T-Pin locks boom into position.
- Handle on end for easy extension of boom.
- Swivel hooks with latch standard.
- Restraining chain with grab hook standard.
- 12-ft. maximum horizontal reach.



Part Number	Dimensions (in.)					Maximum Capacity at Hook Position (lbs.)							Weight (lbs.)
	Fork Opening Height	Fork Opening Width	Fork Outside Width	Headroom	Hook Opening	3' - 6'	7'	8'	9'	10'	11'	12'	
TFLB30	2.5	7	22	18	1	3,000	3,000	2,600	2,200	1,900	1,600	1,500	490
TFLB40	2.5	7	22	18	1.09	4,000	3,200	2,600	2,200	1,900	1,600	1,500	490
TFLB60	2.5	7	22	18	1.36	6,000	5,000	4,200	3,500	3,000	2,700	2,500	565
TFLB80	2.5	7	22	18	1.61	8,000	7,000	5,700	4,800	4,100	3,600	3,100	750

PIVOTING FORKLIFT BOOMS (PFLB)



Features

- Vertical adjustability in five increments up to a maximum of 40°.
- Telescoping boom for versatility.
- T-Pin locks boom into position.
- Handle on end for easy extension of boom.
- Swivel hooks with latch are standard.
- Restraining chain with grab hook standard reach.
- Vertical pivoting boom to 6' 4" height.

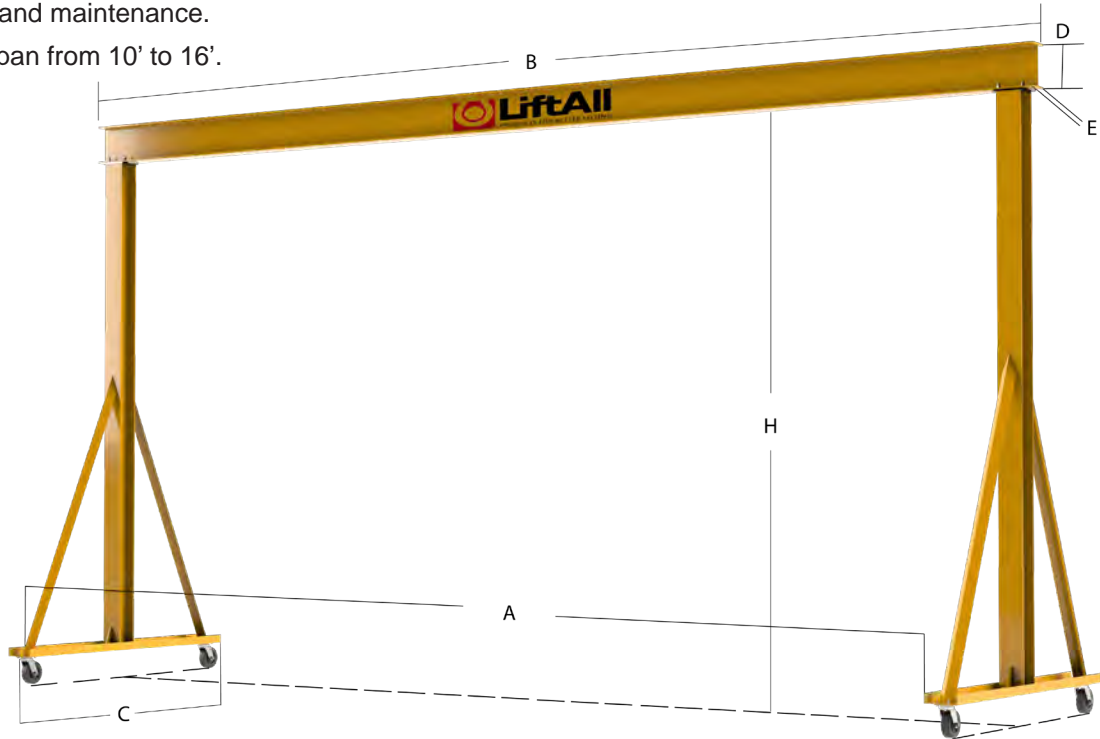
Part Number	Dimensions (in.)					Maximum Capacity at Hook Position (lbs.)							Weight (lbs.)
	Fork Opening Height	Fork Opening Width	Fork Outside Width	Headroom	Hook Opening	3' - 6'	7'	8'	9'	10'	11'	12'	
PFLB30	2.5	7	22.5	30	1	3,000	3,000	2,600	2,200	1,900	1,600	1,500	565
PFLB40	2.5	7	22.5	30	1.09	4,000	3,200	2,600	2,200	1,900	1,600	1,500	565
PFLB60	2.5	7	22.5	30	1.36	6,000	5,000	4,200	3,500	3,000	2,700	2,500	680
PFLB80	2.5	7	22.5	30	1.61	8,000	7,000	5,700	4,800	4,100	3,600	3,100	870

General Information
Web Slings
Round Slings
Slings Protection
Wire Rope
Chain Slings
Rigging Hardware
Mesh Slings
Load Huggers
Tow Products
Lift-All Hoists
Hoist Rings
Plate Clamps
Lifting Devices

FIXED HEIGHT STEEL (H90)

Features

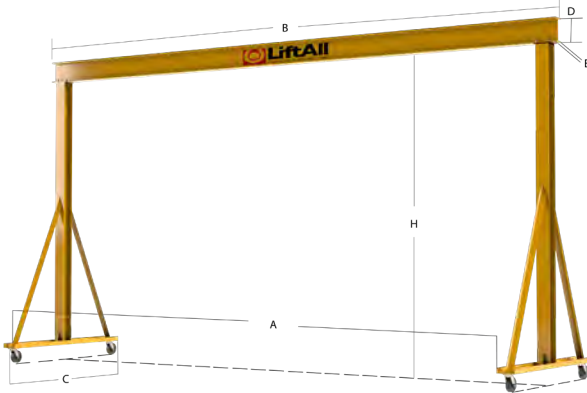
- Balanced design allows for easy rolling, even under load.
- Simple bolt together construction.
- Includes four steel swivel casters.
- Easy set-up and maintenance.
- Adjustable span from 10' to 16'.



Rated Capacity	Height Under Beam H	Nominal Span (ft.)	Inside Span A	Overall Length B	Support Width C	Beam Height D (in.)	Flange Width E (in.)	Caster Diameter (in.)	Weight (lbs.)	Part Number
1-Ton	10'	10	10'-4"	11'-6"	5'-6"	8	5.25	6	825	511-2000-10-10
		12	12'-4"	13'-6"	5'-6"	8	5.25	6	930	511-2000-12-10
		14	14'-4"	15'-6"	5'-6"	8	5.25	6	967	511-2000-14-10
		16	16'-4"	17'-6"	5'-6"	8	5.25	6	1136	511-2000-16-10
	12	10	10'-4"	11'-6"	6'-6"	8	5.25	6	913	511-2000-10-12
		12	12'-4"	13'-6"	6'-6"	8	5.25	6	1018	511-2000-12-12
		14	14'-4"	15'-6"	6'-6"	8	5.25	6	1055	511-2000-14-12
		16	16'-4"	17'-6"	6'-6"	8	5.25	6	1224	511-2000-16-12
	14'	10	10'-4"	11'-6"	7'-6"	8	5.25	6	977	511-2000-10-14
		12	12'-4"	13'-6"	7'-6"	8	5.25	6	1082	511-2000-12-14
		14	14'-4"	15'-6"	7'-6"	8	5.25	6	1119	511-2000-14-14
		16	16'-4"	17'-6"	7'-6"	8	5.25	6	1288	511-2000-16-14
	16'	10	10'-4"	11'-6"	7'-6"	8	5.25	6	1081	511-2000-10-16
		12	12'-4"	13'-6"	7'-6"	8	5.25	6	1186	511-2000-12-16
		14	14'-4"	15'-6"	7'-6"	8	5.25	6	1223	511-2000-14-16
		16	16'-4"	17'-6"	7'-6"	8	5.25	6	1392	511-2000-16-16

FIXED HEIGHT STEEL (H90)

(continued)

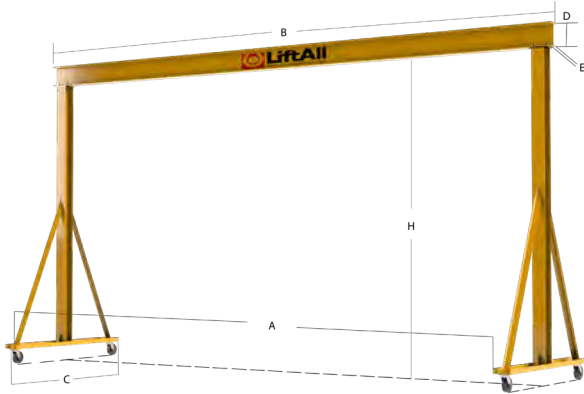


Rated Capacity	Height Under Beam H	Nominal Span (ft.)	Inside Span A	Overall Length B	Support Width C	Beam Height D (in.)	Flange Width E (in.)	Caster Diameter (in.)	Weight (lbs.)	Part Number
2-Ton	10'	10	10'-4"	11'-6"	5'-6"	8	5.25	8	949	511-4000-10-10
		12	12'-4"	13'-6"	5'-6"	8	5.25	8	986	511-4000-12-10
		14	14'-4"	15'-6"	5'-6"	10	5.75	8	1131	511-4000-14-10
		16	16'-4"	17'-6"	5'-6"	10	5.75	8	1182	511-4000-16-10
	12'	10	10'-4"	11'-6"	6'-6"	8	5.25	8	1041	511-4000-10-12
		12	12'-4"	13'-6"	6'-6"	8	5.25	8	1078	511-4000-12-12
		14	14'-4"	15'-6"	6'-6"	10	5.75	8	1223	511-4000-14-12
		16	16'-4"	17'-6"	6'-6"	10	5.75	8	1274	511-4000-16-12
	14'	10	10'-4"	11'-6"	7'-6"	8	5.25	8	1101	511-4000-10-14
		12	12'-4"	13'-6"	7'-6"	8	5.25	8	1138	511-4000-12-14
		14	14'-4"	15'-6"	7'-6"	10	5.75	8	1283	511-4000-14-14
		16	16'-4"	17'-6"	7'-6"	10	5.75	8	1334	511-4000-16-14
	16'	10	10'-4"	11'-6"	7'-6"	8	5.25	8	1205	511-4000-10-16
		12	12'-4"	13'-6"	7'-6"	8	5.25	8	1242	511-4000-12-16
		14	14'-4"	15'-6"	7'-6"	10	5.75	8	1387	511-4000-14-16
		16	16'-4"	17'-6"	7'-6"	10	5.75	8	1438	511-4000-16-16
3-Ton	10'	10	9'-3"	11'-6"	5'-6"	10	6.50	8	1107	511-6000-10-10
		12	11'-3"	13'-6"	5'-6"	10	6.50	8	1157	511-6000-12-10
		14	13'-3"	15'-6"	5'-6"	10	6.50	8	1208	511-6000-14-10
		16	15'-3"	17'-6"	5'-6"	12	6.50	8	1427	511-6000-16-10
	12'	10	9'-3"	11'-6"	6'-6"	10	6.50	8	1229	511-6000-10-12
		12	11'-3"	13'-6"	6'-6"	10	6.50	8	1279	511-6000-12-12
		14	13'-3"	15'-6"	6'-6"	10	6.50	8	1330	511-6000-14-12
		16	15'-3"	17'-6"	6'-6"	12	6.50	8	1529	511-6000-16-12
	14'	10	9'-3"	11'-6"	7'-6"	10	6.50	8	1350	511-6000-10-14
		12	11'-3"	13'-6"	7'-6"	10	6.50	8	1400	511-6000-12-14
		14	13'-3"	15'-6"	7'-6"	10	6.50	8	1451	511-6000-14-14
		16	15'-3"	17'-6"	7'-6"	12	6.50	8	1670	511-6000-16-14
	16'	10	9'-3"	11'-6"	7'-6"	10	6.50	8	1473	511-6000-10-16
		12	11'-3"	13'-6"	7'-6"	10	6.50	8	1523	511-6000-12-16
		14	13'-3"	15'-6"	7'-6"	10	6.50	8	1574	511-6000-14-16
		16	15'-3"	17'-6"	7'-6"	12	6.50	8	1793	511-6000-16-16

General Information
 Web Slings
 Round Slings
 Sling Protection
 Wire Rope
 Chain Slings
 Rigging Hardware
 Mesh Slings
 Load Huggers
 Tow Products
 Lift-All Hoists
 Hoist Rings
 Plate Clamps
 Lifting Devices

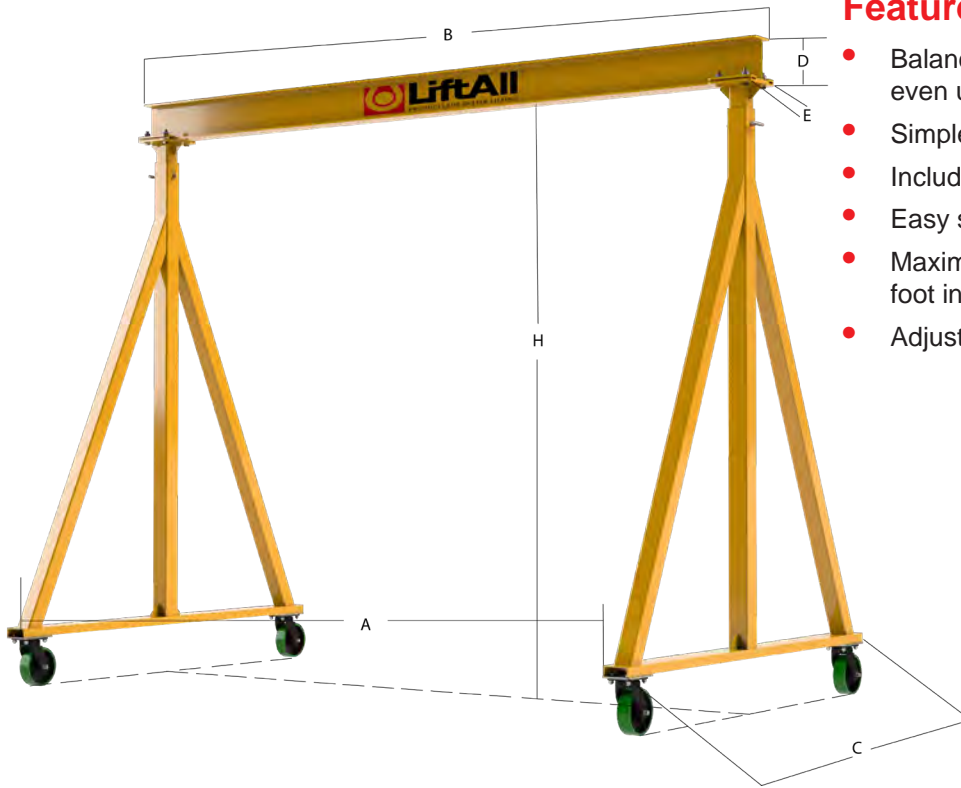
FIXED HEIGHT STEEL (H90)

(continued)



Rated Capacity	Height Under Beam H	Nominal Span (ft.)	Inside Span A	Overall Length B	Support Width C	Beam Height D (in.)	Flange Width E (in.)	Caster Diameter (in.)	Weight (lbs.)	Part Number
4-Ton	10'	10	9'-3"	11'-6"	5'-6"	16	7.00	8	1217	511-8000-10-10
		12	11'-3"	13'-6"	5'-6"	16	7.00	8	1877	511-8000-12-10
		14	13'-3"	15'-6"	5'-6"	18	7.50	8	1357	511-8000-14-10
		16	15'-3"	17'-6"	5'-6"	18	7.50	8	1812	511-8000-16-10
	12'	10	9'-3"	11'-6"	6'-6"	16	7.00	8	1339	511-8000-10-12
		12	11'-3"	13'-6"	6'-6"	16	7.00	8	1409	511-8000-12-12
		14	13'-3"	15'-6"	6'-6"	18	7.50	8	1479	511-8000-14-12
		16	15'-3"	17'-6"	6'-6"	18	7.50	8	1934	511-8000-16-12
	14'	10	9'-3"	11'-6"	7'-6"	16	7.00	8	1460	511-8000-10-14
		12	11'-3"	13'-6"	7'-6"	16	7.00	8	1530	511-8000-12-14
		14	13'-3"	15'-6"	7'-6"	18	7.50	8	1600	511-8000-14-14
		16	15'-3"	17'-6"	7'-6"	18	7.50	8	2055	511-8000-16-14
	16'	10	9'-3"	11'-6"	7'-6"	16	7.00	8	1583	511-8000-10-16
		12	11'-3"	13'-6"	7'-6"	16	7.00	8	1653	511-8000-12-16
		14	13'-3"	15'-6"	7'-6"	18	7.50	8	1723	511-8000-14-16
		16	15'-3"	17'-6"	7'-6"	18	7.50	8	2178	511-8000-16-16
5-Ton	10'	10	9'-3"	11'-6"	5'-6"	16	7.00	8	1397	511-10000-10-10
		12	11'-3"	13'-6"	5'-6"	16	7.00	8	1467	511-10000-12-10
		14	13'-3"	15'-6"	5'-6"	18	7.50	8	1537	511-10000-14-10
		16	15'-3"	17'-6"	5'-6"	18	7.50	8	1992	511-10000-16-10
	12'	10	9'-3"	11'-6"	6'-6"	16	7.00	8	1519	511-10000-10-12
		12	11'-3"	13'-6"	6'-6"	16	7.00	8	1589	511-10000-12-12
		14	13'-3"	15'-6"	6'-6"	18	7.50	8	1659	511-10000-14-12
		16	15'-3"	17'-6"	6'-6"	18	7.50	8	2114	511-10000-16-12
	14'	10	9'-3"	11'-6"	7'-6"	16	7.00	8	1640	511-10000-10-14
		12	11'-3"	13'-6"	7'-6"	16	7.00	8	1710	511-10000-12-14
		14	13'-3"	15'-6"	7'-6"	18	7.50	8	1780	511-10000-14-14
		16	15'-3"	17'-6"	7'-6"	18	7.50	8	2235	511-10000-16-14
	16'	10	9'-3"	11'-6"	7'-6"	16	7.00	8	1763	511-10000-10-16
		12	11'-3"	13'-6"	7'-6"	16	7.00	8	1833	511-10000-12-16
		14	13'-3"	15'-6"	7'-6"	18	7.50	8	1903	511-10000-14-16
		16	15'-3"	17'-6"	7'-6"	18	7.50	8	2358	511-10000-16-16

ADJUSTABLE HEIGHT STEEL (K90)



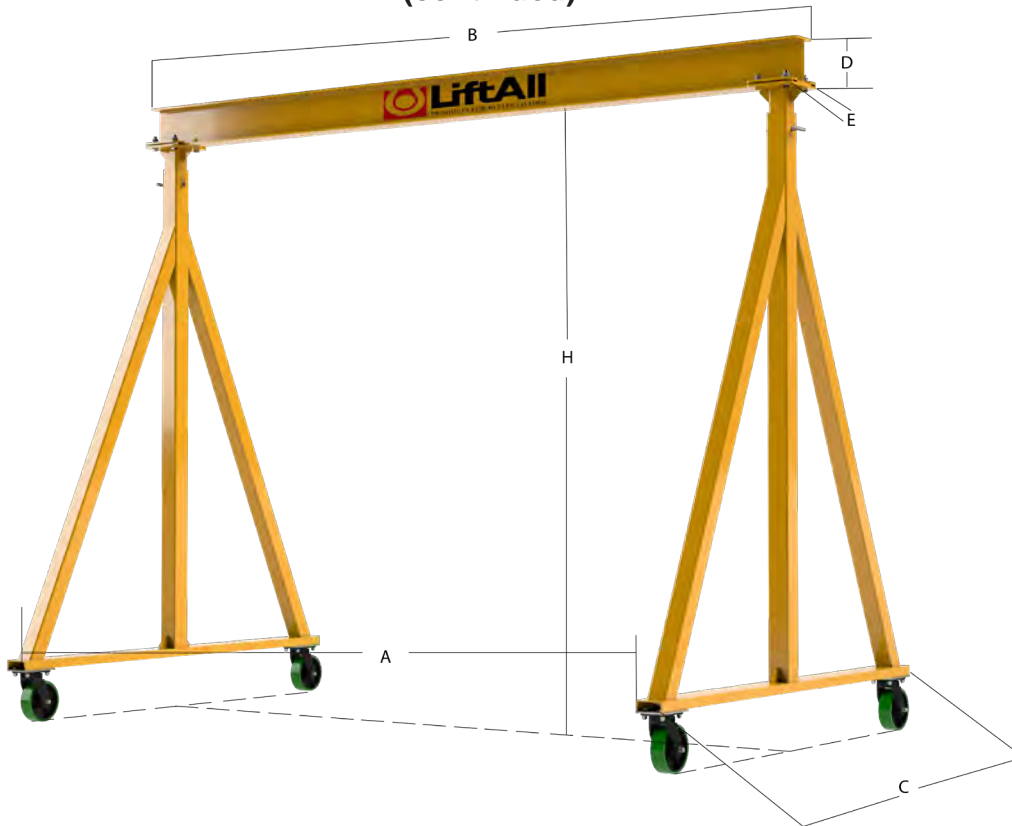
Features

- Balanced design allows for easy rolling, even under load.
- Simple bolt together construction.
- Includes four steel swivel casters.
- Easy set-up and maintenance.
- Maximum height can be reduced in one foot increments.
- Adjustable span standard.

Rated Capacity	Max. Height Under Beam H	Nominal Span (ft.)	Inside Span A	Overall Length B	Support Width C	Beam Height D (in.)	Flange Width E (in.)	Caster Diameter (in.)	Min. Height Under Beam H (ft.)	Weight (lbs.)	Part Number
1-Ton	8'	10	10'-5"	11'-6"	5'-0"	8	5.25	6	5'-0"	625	512-2000-10-8
		12	12'-5"	13'-6"	5'-0"	8	5.25	6	5'-0"	725	512-2000-12-8
		14	14'-5"	15'-6"	5'-0"	8	5.25	6	5'-0"	750	512-2000-14-8
		16	16'-5"	17'-6"	5'-0"	8	5.25	6	5'-0"	925	512-2000-16-8
	10'	10	10'-5"	11'-6"	5'-6"	8	5.25	6	7'-0"	650	512-2000-10-10
		12	12'-5"	13'-6"	5'-6"	8	5.25	6	7'-0"	750	512-2000-12-10
		14	14'-5"	15'-6"	5'-6"	8	5.25	6	7'-0"	800	512-2000-14-10
		16	16'-5"	17'-6"	5'-6"	8	5.25	6	7'-0"	950	512-2000-16-10
	12'	10	10'-5"	11'-6"	6'-6"	8	5.25	6	8'-0"	750	512-2000-10-12
		12	12'-5"	13'-6"	6'-6"	8	5.25	6	8'-0"	850	512-2000-12-12
		14	14'-5"	15'-6"	6'-6"	8	5.25	6	8'-0"	900	512-2000-14-12
		16	16'-5"	17'-6"	6'-6"	8	5.25	6	8'-0"	1050	512-2000-16-12
	14'	10	10'-5"	11'-6"	7'-6"	8	5.25	6	10'-0"	800	512-2000-10-14
		12	12'-5"	13'-6"	7'-6"	8	5.25	6	10'-0"	900	512-2000-12-14
		14	14'-5"	15'-6"	7'-6"	8	5.25	6	10'-0"	950	512-2000-14-14
		16	16'-5"	17'-6"	7'-6"	8	5.25	6	10'-0"	1100	512-2000-16-14
	16'	10	10'-5"	11'-6"	7'-6"	8	5.25	6	12'-0"	850	512-2000-10-16
		12	12'-5"	13'-6"	7'-6"	8	5.25	6	12'-0"	950	512-2000-12-16
		14	14'-5"	15'-6"	7'-6"	8	5.25	6	12'-0"	1000	512-2000-14-16
		16	16'-5"	17'-6"	7'-6"	8	5.25	6	12'-0"	1150	512-2000-16-16

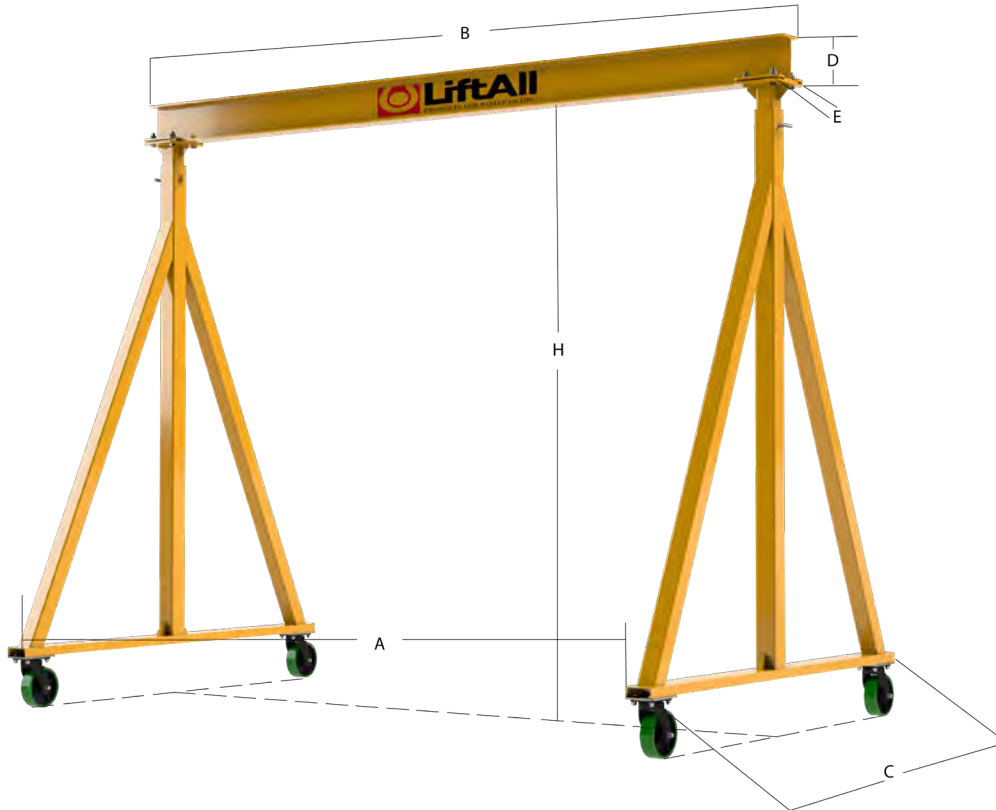
General Information
Web Slings
Round Slings
Slings Protection
Wire Rope
Chain Slings
Rigging Hardware
Mesh Slings
Load Huggers
Tow Products
Lift-All Hoists
Hoist Rings
Plate Clamps
Lifting Devices

ADJUSTABLE HEIGHT STEEL (K90) (continued)



Rated Capacity	Max. Height Under Beam H	Nominal Span (ft.)	Inside Span A	Overall Length B	Support Width C	Beam Height D (in.)	Flange Width E (in.)	Caster Diameter (in.)	Min. Height Under Beam H (ft.)	Weight (lbs.)	Part Number
2-Ton	8'	10	10'-5"	11'-6"	5'-0"	8	5.25	8	5'-0"	750	512-4000-10-8
		12	12'-5"	13'-6"	5'-0"	8	5.25	8	5'-0"	800	512-4000-12-8
		14	14'-5"	15'-6"	5'-0"	10	5.75	8	5'-0"	925	512-4000-14-8
		16	16'-5"	17'-6"	5'-0"	10	5.75	8	5'-0"	975	512-4000-16-8
	10'	10	10'-5"	11'-6"	5'-6"	8	5.25	8	7'-0"	775	512-4000-10-10
		12	12'-5"	13'-6"	5'-6"	8	5.25	8	7'-0"	825	512-4000-12-10
		14	14'-5"	15'-6"	5'-6"	10	5.75	8	7'-0"	975	512-4000-14-10
		16	16'-5"	17'-6"	5'-6"	10	5.75	8	7'-0"	1025	512-4000-16-10
	12'	10	10'-5"	11'-6"	6'-6"	8	5.25	8	8'-0"	875	512-4000-10-12
		12	12'-5"	13'-6"	6'-6"	8	5.25	8	8'-0"	900	512-4000-12-12
		14	14'-5"	15'-6"	6'-6"	10	5.75	8	8'-0"	1050	512-4000-14-12
		16	16'-5"	17'-6"	6'-6"	10	5.75	8	8'-0"	1100	512-4000-16-12
	14'	10	10'-5"	11'-6"	7'-6"	8	5.25	8	10'-0"	950	512-4000-10-14
		12	12'-5"	13'-6"	7'-6"	8	5.25	8	10'-0"	975	512-4000-12-14
		14	14'-5"	15'-6"	7'-6"	10	5.75	8	10'-0"	1125	512-4000-14-14
		16	16'-5"	17'-6"	7'-6"	10	5.75	8	10'-0"	1175	512-4000-16-14
	16'	10	10'-5"	11'-6"	7'-6"	8	5.25	8	12'-0"	1000	512-4000-10-16
		12	12'-5"	13'-6"	7'-6"	8	5.25	8	12'-0"	1025	512-4000-12-16
		14	14'-5"	15'-6"	7'-6"	10	5.75	8	12'-0"	1175	512-4000-14-16
		16	16'-5"	17'-6"	7'-6"	10	5.75	8	12'-0"	1225	512-4000-16-16

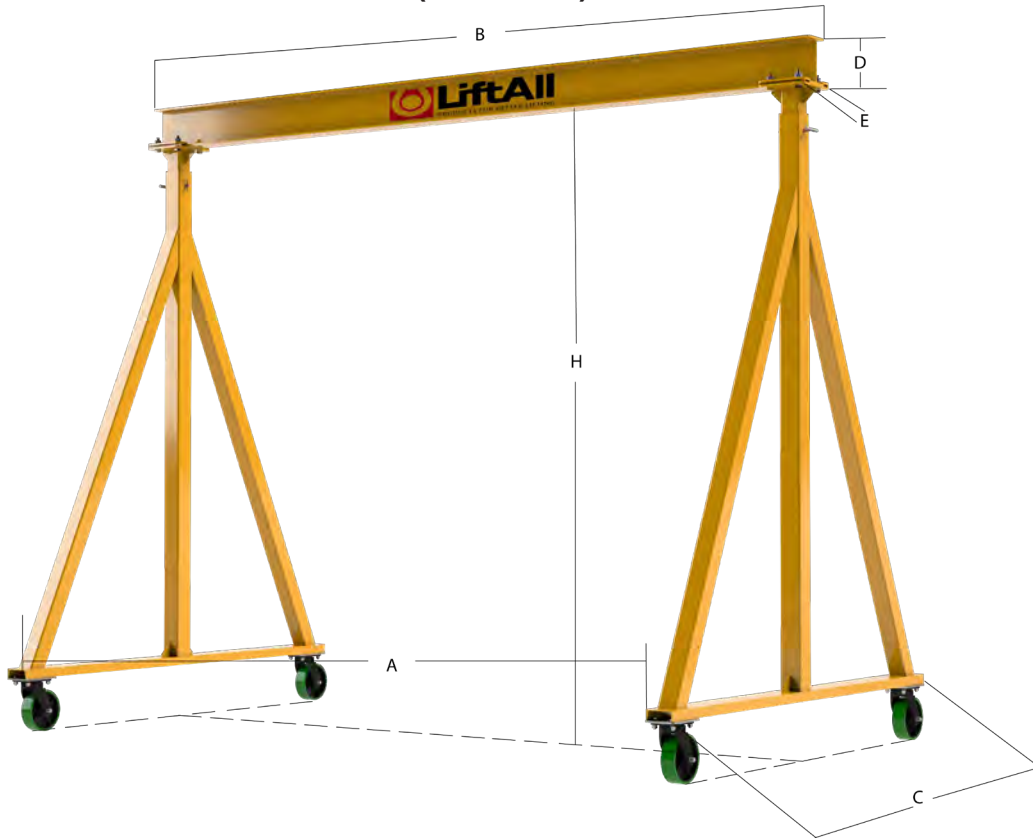
ADJUSTABLE HEIGHT STEEL (K90) (continued)



Rated Capacity	Max. Height Under Beam H	Nominal Span (ft.)	Inside Span A	Overall Length B	Support Width C	Beam Height D (in.)	Flange Width E (in.)	Caster Diameter (in.)	Min. Height Under Beam H (ft.)	Weight (lbs.)	Part Number
3-Ton	8'	10	9'-5"	11'-6"	5'-0"	12	6.50	8	5'-0"	1100	512-6000-10-8
		12	11'-5"	13'-6"	5'-0"	12	6.50	8	5'-0"	1175	512-6000-12-8
		14	13'-5"	15'-6"	5'-0"	12	6.50	8	5'-0"	1225	512-6000-14-8
		16	15'-5"	17'-6"	5'-0"	12	6.50	8	5'-0"	1375	512-6000-16-8
	10'	10	9'-5"	11'-6"	5'-6"	12	6.50	8	7'-0"	1175	512-6000-10-10
		12	11'-5"	13'-6"	5'-6"	12	6.50	8	7'-0"	1200	512-6000-12-10
		14	13'-5"	15'-6"	5'-6"	12	6.50	8	7'-0"	1275	512-6000-14-10
		16	15'-5"	17'-6"	5'-6"	12	6.50	8	7'-0"	1425	512-6000-16-10
	12'	10	9'-5"	11'-6"	6'-6"	12	6.50	8	8'-0"	1300	512-6000-10-12
		12	11'-5"	13'-6"	6'-6"	12	6.50	8	8'-0"	1375	512-6000-12-12
		14	13'-5"	15'-6"	6'-6"	12	6.50	8	8'-0"	1400	512-6000-14-12
		16	15'-5"	17'-6"	6'-6"	12	6.50	8	8'-0"	1575	512-6000-16-12
	14'	10	9'-5"	11'-6"	7'-6"	12	6.50	8	10'-0"	1400	512-6000-10-14
		12	11'-5"	13'-6"	7'-6"	12	6.50	8	10'-0"	1475	512-6000-12-14
		14	13'-5"	15'-6"	7'-6"	12	6.50	8	10'-0"	1525	512-6000-14-14
		16	15'-5"	17'-6"	7'-6"	12	6.50	8	10'-0"	1675	512-6000-16-14
	16'	10	9'-5"	11'-6"	7'-6"	12	6.50	8	12'-0"	1500	512-6000-10-16
		12	11'-5"	13'-6"	7'-6"	12	6.50	8	12'-0"	1550	512-6000-12-16
		14	13'-5"	15'-6"	7'-6"	12	6.50	8	12'-0"	1600	512-6000-14-16
		16	15'-5"	17'-6"	7'-6"	12	6.50	8	12'-0"	1750	512-6000-16-16

General Information
Web Slings
Round Slings
Slings Protection
Wire Rope
Chain Slings
Rigging Hardware
Mesh Slings
Load Huggers
Tow Products
Lift-All Hoists
Hoist Rings
Plate Clamps
Lifting Devices

ADJUSTABLE HEIGHT STEEL (K90) (continued)



Rated Capacity	Max. Height Under Beam H	Nominal Span (ft.)	Inside Span A	Overall Length B	Support Width C	Beam Height D (in.)	Flange Width E (in.)	Caster Diameter (in.)	Min. Height Under Beam H (ft.)	Weight (lbs.)	Part Number
5-Ton	8'	10	9'-5"	11'-6"	5'-0"	16	7.00	8	6'-1"	1325	512-10000-10-8
		12	11'-5"	13'-6"	5'-0"	16	7.00	8	6'-1"	1375	512-10000-12-8
		14	13'-5"	15'-6"	5'-0"	18	7.50	8	6'-1"	1625	512-10000-14-8
		16	15'-5"	17'-6"	5'-0"	18	7.50	8	6'-1"	1700	512-10000-16-8
	10'	10	9'-5"	11'-6"	5'-6"	16	7.00	8	7'-1"	1375	512-10000-10-10
		12	11'-5"	13'-6"	5'-6"	16	7.00	8	7'-1"	1425	512-10000-12-10
		14	13'-5"	15'-6"	5'-6"	18	7.50	8	7'-1"	1675	512-10000-14-10
		16	15'-5"	17'-6"	5'-6"	18	7.50	8	7'-1"	1750	512-10000-16-10
	12'	10	9'-5"	11'-6"	6'-6"	16	7.00	8	8'-1"	1550	512-10000-10-12
		12	11'-5"	13'-6"	6'-6"	16	7.00	8	8'-1"	1600	512-10000-12-12
		14	13'-5"	15'-6"	6'-6"	18	7.50	8	8'-1"	1825	512-10000-14-12
		16	15'-5"	17'-6"	6'-6"	18	7.50	8	8'-1"	1925	512-10000-16-12
	14'	10	9'-5"	11'-6"	7'-6"	16	7.00	8	9'-1"	1650	512-10000-10-14
		12	11'-5"	13'-6"	7'-6"	16	7.00	8	9'-1"	1725	512-10000-12-14
		14	13'-5"	15'-6"	7'-6"	18	7.50	8	9'-1"	1950	512-10000-14-14
		16	15'-5"	17'-6"	7'-6"	18	7.50	8	9'-1"	2050	512-10000-16-14
	16'	10	9'-5"	11'-6"	7'-6"	16	7.00	8	10'-1"	1725	512-10000-10-16
		12	11'-5"	13'-6"	7'-6"	16	7.00	8	10'-1"	1800	512-10000-12-16
		14	13'-5"	15'-6"	7'-6"	18	7.50	8	10'-1"	2025	512-10000-14-16
		16	15'-5"	17'-6"	7'-6"	18	7.50	8	10'-1"	2125	512-10000-16-16

ADJUSTABLE ALUMINUM (KA90)



Features

- Lightweight aluminum construction.
- Balanced design allows for easy rolling under load.
- Simple bolt together construction.
- Includes four poly coated swivel casters.
- Easy setup and maintenance.
- Height adjustable in 6" increments.

Rated Capacity	Min./Max. Height Under Beam H	Nominal Span (ft.)	Inside Span A	Overall Length B	Support Width C	Beam Height D (in.)	Flange Width E (in.)	Caster Diameter (in.)	Weight (lbs.)	Part Number
1/2-Ton	7' - 6" min. 10' - 0" max.	8	7'-3"	8'-9"	4'-6"	5	3.00	6	125	582-1000-8-10
		10	9'-3"	10'-9"	4'-6"	6	3.38	6	145	582-1000-10-10
		12	11'-3"	12'-9"	4'-6"	8	4.00	6	175	582-1000-12-10
		15	14'-3"	15'-9"	4'-6"	8	4.00	6	205	582-1000-15-10
	9' - 6" min. 12' - 0" max.	8	7'-3"	8'-9"	5'-0"	5	3.00	6	140	582-1000-8-12
		10	9'-3"	10'-9"	5'-0"	6	3.38	6	160	582-1000-10-12
		12	11'-3"	12'-9"	5'-0"	8	4.00	6	190	582-1000-12-12
		15	14'-3"	15'-9"	5'-0"	8	4.00	6	220	582-1000-15-12
1-Ton	7' - 6" min. 10' - 0" max.	8	7'-3"	8'-9"	4'-6"	6	3.38	6	165	582-2000-8-10
		10	9'-3"	10'-9"	4'-6"	8	4.00	6	195	582-2000-10-10
		12	11'-3"	12'-9"	4'-6"	8	4.00	6	215	582-2000-12-10
		15	14'-3"	15'-9"	4'-6"	10	4.63	6	260	582-2000-15-10
	9' - 6" min. 12' - 0" max.	8	7'-3"	8'-9"	5'-0"	6	3.38	6	180	582-2000-8-12
		10	9'-3"	10'-9"	5'-0"	8	4.00	6	210	582-2000-10-12
		12	11'-3"	12'-9"	5'-0"	8	4.00	6	245	582-2000-12-12
		15	14'-3"	15'-9"	5'-0"	10	4.63	6	300	582-2000-15-12
2-Ton	7' - 6" min. 10' - 0" max.	8	7'-3"	8'-9"	4'-6"	8	4.00	8	250	582-4000-8-10
		10	9'-3"	10'-9"	4'-6"	10	4.63	8	290	582-4000-10-10
		12	11'-3"	12'-9"	4'-6"	12	5.00	8	340	582-4000-12-10
		15	14'-3"	15'-9"	4'-6"	12	5.00	8	375	582-4000-15-10
	9' - 6" min. 12' - 0" max.	8	7'-3"	8'-9"	5'-0"	8	4.00	8	280	582-4000-8-12
		10	9'-3"	10'-9"	5'-0"	10	4.63	8	320	582-4000-10-12
		12	11'-3"	12'-9"	5'-0"	12	5.00	8	365	582-4000-12-12
		15	14'-3"	15'-9"	5'-0"	12	5.00	8	400	582-4000-15-12
3-Ton	7' - 6" min. 10' - 0" max.	8	7'-3"	8'-9"	5'-0"	12	5.00	8	390	582-6000-8-10
		10	9'-3"	10'-9"	5'-0"	12	5.00	8	395	582-6000-10-10
		12	11'-3"	12'-9"	5'-0"	12	5.00	8	450	582-6000-12-10
		15	14'-3"	15'-9"	5'-0"	12	5.00	8	490	582-6000-15-10
	9' - 6" min. 12' - 0" max.	8	7'-3"	8'-9"	5'-0"	12	5.00	8	425	582-6000-8-12
		10	9'-3"	10'-9"	5'-0"	12	5.00	8	445	582-6000-10-12
		12	11'-3"	12'-9"	5'-0"	12	5.00	8	502	582-6000-12-12
		15	14'-3"	15'-9"	5'-0"	12	5.00	8	548	582-6000-15-12

General Information
Web Slings
Round Slings
Slings Protection
Wire Rope
Chain Slings
Rigging Hardware
Mesh Slings
Load Huggers
Tow Products
Lift-All Hoists
Hoist Rings
Plate Clamps
Lifting Devices