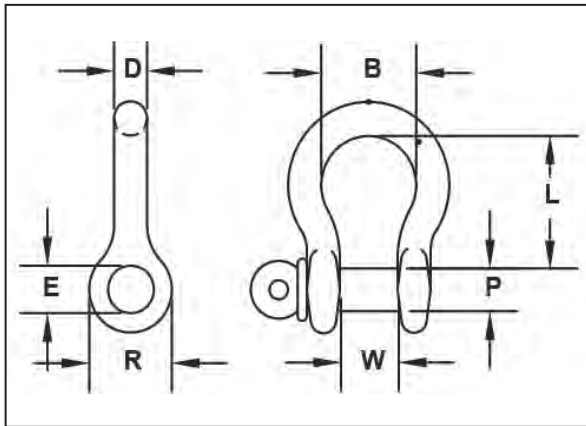


WIRE ROPE SLING HARDWARE

Screw Pin Anchor Shackles



Shackle Size D (in.)	1Rated Capacity* (tons)		Dimensions (in.)						Weight Each (lbs.)
	CM	Others	P	E	W	R	L	B (min.)	
3/16	1/2	1/3	0.25	0.29	0.38	0.57	0.88	0.58	0.06
1/4	3/4	1/2	0.31	0.36	0.47	0.75	1.13	0.75	0.12
5/16	1	3/4	0.38	0.45	0.53	0.84	1.25	0.81	0.20
3/8	1-1/2	1	0.44	0.52	0.66	1.00	1.40	1.00	0.30
7/16	2	1-1/2	0.50	0.58	0.72	1.15	1.69	1.19	0.50
1/2	3	2	0.63	0.70	0.84	1.34	1.94	1.38	0.75
5/8	4-1/2	3-1/4	0.75	0.83	1.06	1.66	2.41	1.63	1.30
3/4	6-1/2	4-3/4	0.88	0.95	1.28	1.94	2.84	1.89	2.30
7/8	8-1/2	6-1/2	1.00	1.09	1.44	2.14	3.31	2.06	3.50
1	10	8-1/2	1.13	1.22	1.72	2.44	3.75	2.52	5.00
1-1/8	12	9-1/2	1.25	1.36	1.84	2.66	4.02	2.69	7.00
1-1/4	14	12	1.38	1.52	2.03	3.15	4.63	2.88	9.50
1-3/8	17	13-1/2	1.50	1.65	2.25	3.25	5.19	3.25	12.50
1-1/2	20	17	1.63	1.77	2.41	3.50	5.63	3.50	17.20
1-5/8	24	20	1.75	1.88	2.66	3.91	6.13	4.13	23.50
1-3/4	30	25	2.00	2.13	2.94	4.06	6.97	4.75	27.70
2	35	35	2.25	2.38	3.28	4.51	7.44	5.50	39.00

Note: Standard capacities and dimensions shown, but may vary depending on source of supply. Specify required capacity if critical.

¹ Rated Capacity also referred to as Working Load Limit.

- Carbon shackle, alloy pin
- Heat treated and tempered.
- Type 4A, Grade A, Class 2.
- Specification: RR-C-271F.
- Design Factor 5:1.
- Hot dip galvanized.

*** WARNING**

Do not exceed rated capacities. Sling capacity decreases as the angle from horizontal decreases. Do not use slings at angles of less than 30°. Refer to the Effect of Angle chart found in the General Information section of this catalog.

SHACKLE PADS

Always Protect Synthetic Slings from Edges

Shackles commonly contain screw threads and inlets to pin openings. These edges need to be guarded from contact with synthetic slings. Always use shackle pads in these areas to prevent possible equipment damage or injury to personnel from a loss of load.

Features and Benefits

Promotes Safety

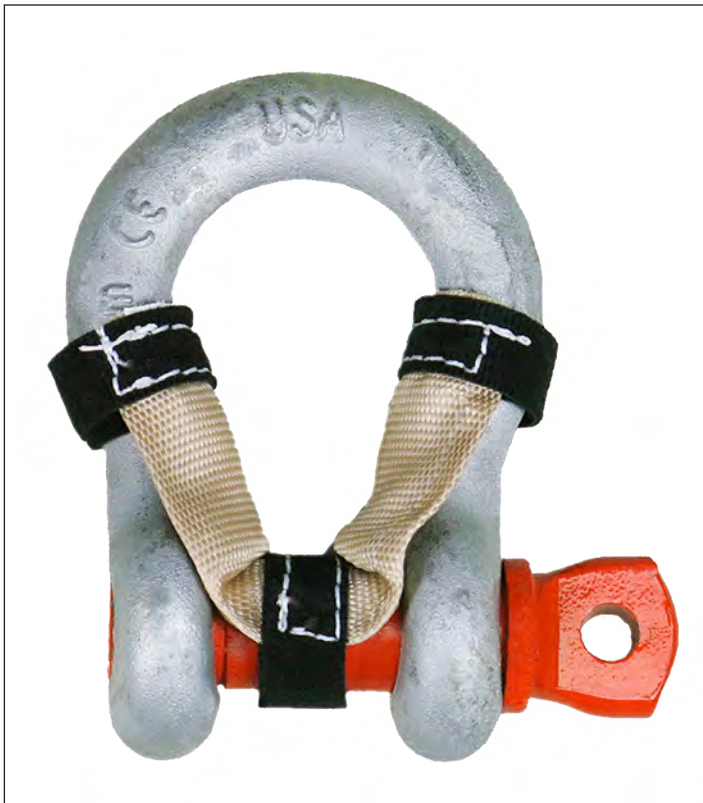
- Prevents possible equipment damage or injury to personnel from a loss of load.

Saves Money

- Costs less to replace than expensive rigging hooks.

Saves Time

- Quick installation. The pad can be quickly installed using *Velcro*®.
- Lightweight construction.
- Pad may be used on either end of the shackle.



Shackle Size	Part Number
5/8"	58SP
3/4"	34SP
1"	1SP
1-1/4"	114SP
1-1/2"	112SP
1-3/4"	134SP
2"	2SP
2-1/2"	212SP
3"	3SP

Open Shackle Pad

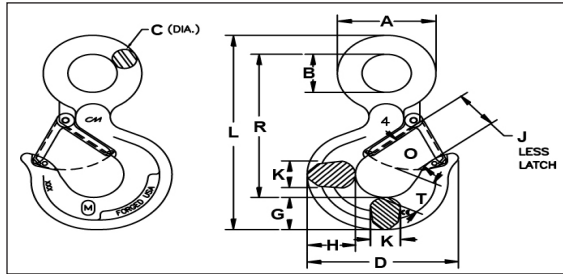


- General Information
- Web Slings
- Round Slings
- Slings Protection
- Wire Rope
- Chain Slings
- Rigging Hardware
- Mesh Slings
- Load Huggers
- Tow Products
- Lift-All Hoists
- Hoist Rings
- Plate Clamps
- Lifting Devices

WIRE ROPE SLING HARDWARE

Eye Rigging Hooks

- Drop forged alloy steel.
- Load rating marked on each hook body.
- Pre-drilled latch tab allows addition of heavy-duty latch.
- May also be used on *Tuflex*® Bridle Roundslings and Web Bridle Slings
- Design factor 5:1.

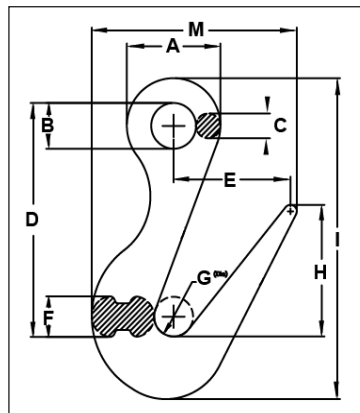


	¹Rated Capacity* (tons)	Part Number	Dimension (in.)											Weight Each (lbs.)	
			A	B	C	D	G	H	J	K	L	O	R		T
Alloy	1	1AEH	1.50	0.75	0.38	3.12	0.87	1.01	0.93	0.63	4.37	0.93	3.13	0.87	0.66
	1-1/2	112AEH	1.75	0.88	0.44	3.37	0.94	1.11	0.97	0.71	5.04	0.97	3.66	0.97	1.12
	2	2AEH	2.13	1.10	0.50	3.80	1.06	1.21	1.02	0.74	5.65	1.02	4.09	1.03	1.46
	3	3AEH	2.50	1.25	0.64	4.20	1.26	1.43	1.19	0.94	6.55	1.16	4.67	1.16	2.42
	5	5AEH	3.08	1.56	0.77	5.11	1.44	1.63	1.50	1.38	7.97	1.41	5.78	1.53	4.10
	7	7AEH	3.88	1.98	0.94	6.24	1.82	2.01	1.78	1.68	10.07	1.69	7.31	1.94	8.16
	11	11AEH	4.69	2.44	1.13	7.89	2.25	2.63	2.38	1.88	12.41	2.19	9.03	2.52	15.60
	15	15AEH	5.34	2.84	1.25	8.53	2.75	3.10	2.50	2.03	14.05	2.30	10.21	2.54	21.58
	22	22AEH	6.63	3.50	1.56	10.30	3.15	3.62	3.30	2.60	17.53	3.12	12.81	2.73	39.89
Carbon	20	20CSEH	8.50	4.50	2.00	14.06	4.56	-	4.25	3.75	24.69	3.00	18.19	3.88	-
	30	30CSEH	9.30	4.94	2.18	15.44	5.06	-	4.75	4.50	27.36	3.38	20.12	4.75	-
	40	40CSEH	10.75	5.69	2.53	18.50	6.00	-	5.75	5.75	32.25	4.12	23.72	5.69	-

May also be used on *Tuflex* Bridle Roundslings and Web Bridle Slings.

Sorting Hooks

- Quenched and tempered alloy steel.
 - Long tapered point designed for easy grab in rings, pear links, eye bolts or lifting holes.
 - Durable powder-coated finish.
 - Do not load last 1" of the tip.
 - Design factor 5:1.
- WLL at tip: 2.0-Ton**
WLL at bowl: 7.5-Ton



Dimensions (in.)											Weight (lbs.)
Part Number ⁺	A	B	C	D	E	F	G	H	I	M	
2SORT	3.00	1.44	0.78	7.34	3.75	1.28	1.25	3.93	10.09	6.58	6.8

⁺ For Handle, add H to part number (2SORTH).

¹ Rated Capacity also referred to as Working Load Limit.

*



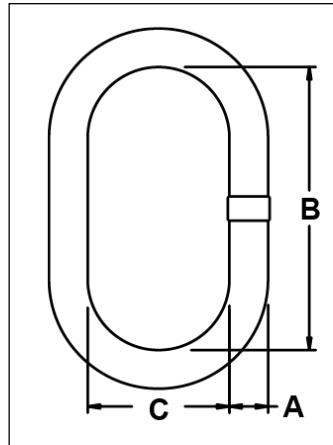
WARNING

Do not exceed rated capacities. Sling capacity decreases as the angle from horizontal decreases. Do not use slings at angles of less than 30°. Refer to the Effect of Angle chart found in the General Information section of this catalog.

WIRE ROPE SLING HARDWARE

Alloy Oblong Master Link

- Drop forged through 1".
- Larger sizes welded.
- Design factor 5:1.



¹ Rated Capacity*		Part Number	Dimensions* (in.)			Weight Each (lbs.)
Tons	lbs.		A Oblong Size (Diameter)	B Inside Length	C Inside Width	
3.0	6,100	12DOL	1/2	5.00	2.50	0.9
6.6	13,200	34DOL	3/4	6.00	3.00	2.5
11.2	22,400	1DOL	1	8.00	4.00	5.8
16.2	32,400	114DOL	1-1/4	8.75	4.38	9.2
24.5	49,000	112DOL	1-1/2	10.50	5.25	16
36.7	73,400	134DOL	1-3/4	12.00	6.00	25
44.4	88,800	2G8OL	2	14.00	7.00	37
62.6	125,200	214G8OL	2-1/4	16.00	8.00	54
93.9	187,800	234G8OL	2-3/4	16.00	9.00	85

¹ Rated Capacity also referred to as Working Load Limit.

*

WARNING

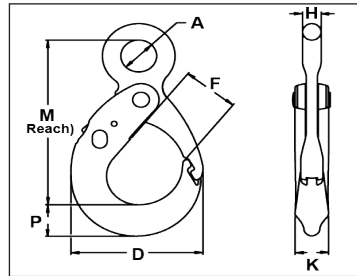
Do not exceed rated capacities. Sling capacity decreases as the angle from horizontal decreases. Do not use slings at angles of less than 30°. Refer to the Effect of Angle chart found in the General Information section of this catalog.

General Information
Web Slings
Round Slings
Sling Protection
Wire Rope
Chain Slings
Rigging Hardware
Mesh Slings
Load Huggers
Tow Products
Lift-All Hoists
Hoist Rings
Plate Clamps
Lifting Devices

WIRE ROPE SLING HARDWARE

Eye Latchlok Hooks

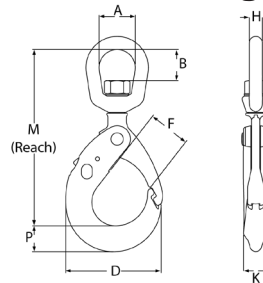
- Heavy-duty latch with lock prevents accidental opening.
- Drop forged alloy steel.
- Durable powder-coated finish.
- Design factor 5:1.



Part Number	1Rated Capacity		Dimensions (in.)							Weight Each (lbs.)
	Tons	lbs.	A	M	P	D	F	H	K	
932G10ELLH	1.7	3,400	1.09	537	0.88	3.77	1.64	0.47	0.91	2.50
38G10ELLH	3.5	7,000	1.36	6.65	1.07	4.74	2.27	0.59	1.15	4.74
12G10ELLH	6.0	12,000	1.57	8.79	1.58	6.26	2.91	0.80	1.47	10.00
58G10ELLH	9.0	18,000	2.00	10.37	1.97	7.37	3.22	1.03	1.85	16.00

Swivel Eye Latchlok Hooks with Bushings

- Hook swivels beneath the eye.
- Heavy-duty latch with lock prevents accidental opening.
- Durable powder-coated finish.
- Positive locking hook.
- Design factor 5:1.



Part Number	Size	1Rated Capacity		Dimensions (in.)								Weight Each (lbs.)
		Tons	lbs.	H	M	P	D	F	A	B	K	
932G10SLLH	9/32	1.7	3,400	0.62	7.17	0.88	3.77	1.64	1.50	1.33	0.91	3.5
38G10SLLH	3/8	3.5	7,000	0.77	8.73	1.07	4.76	2.26	1.75	1.63	1.15	4.8
12G10SLLH	1/2	6.0	12,000	0.93	11.18	1.58	6.26	2.91	1.00	1.76	1.47	10.6
58G10SLLH	5/8	9.0	18,000	1.00	13.35	1.97	7.37	3.22	2.75	2.38	1.85	17.0

Note: A swivel hook with a bearing design is also available. This version allows the hook to rotate freely while the load is applied.

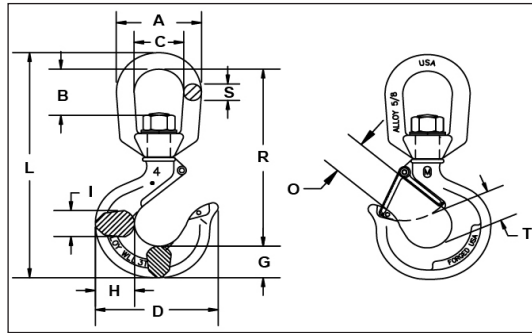
USING LATCHLOK HOOKS SAFELY

- ⚠ Do not apply load unless latch and hook are completely closed and locked.
- ⚠ Make certain that the latch does not support any part of the load.
- ⚠ When lifting, make certain that the load is firmly seated in the base (bowl) of the hook.
- ⚠ Inspect hook and latch periodically. If the hook or latch is damaged or if the latch fails to interlock with the tip, the hook should be removed from service.
- ⚠ Do not exceed the working load limit.
- ⚠ Do not use if the hook is visibly distorted, damaged, or worn.
- ⚠ Keep body and other objects clear of the latch when closing to avoid the pinch point.
- ⚠ Do not side load or tip load hook.
- ⚠ User should be properly trained and understand safe rigging practices.

WIRE ROPE SLING HARDWARE

Swivel Eye Rigging Hooks

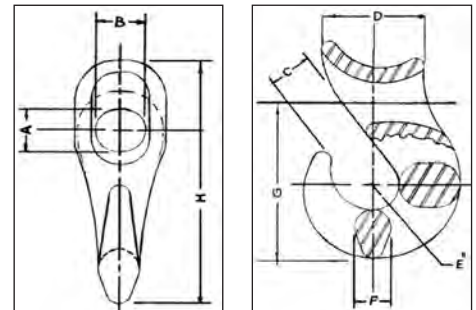
- Pre-drilled for latches.
- Heat-treated, quenched and tempered.
- Design factor 5:1.
- Shown with optional latch.



Rated Cap.* (tons)	Part Number	Dimensions (in.)												Weight Each (lbs.)
		A	B	C	D	G	H	I	L	R	S	T	O	
1	1ASWH	2.00	1.11	1.31	3.06	0.87	1.05	0.63	5.83	4.63	0.38	0.87	0.93	1.05
1-1/2	112ASWH	2.50	1.38	1.50	3.33	0.94	1.11	0.71	6.83	5.44	0.50	0.97	0.97	1.56
2	2ASWH	3.00	1.65	1.75	3.67	1.06	1.21	0.88	7.76	6.25	0.63	1.03	1.06	2.50
3	3ASWH	3.00	1.65	1.75	4.20	1.27	1.43	0.94	8.40	6.49	0.63	1.16	1.16	3.20
5	5ASWH	3.50	1.77	2.00	5.11	1.44	1.63	1.31	9.76	7.53	0.75	1.53	1.41	5.36
7	7ASWH	4.75	2.39	2.75	6.24	1.82	2.01	1.68	12.42	9.67	1.00	1.94	1.69	10.56
11	11ASWH	5.50	2.55	3.25	7.69	2.25	2.63	1.88	14.89	12.06	1.13	2.46	2.22	19.00
15	15ASWH	6.00	2.47	3.50	8.37	2.59	2.94	2.19	15.79	11.95	1.25	2.62	2.23	26.75
22	22ASWH	7.75	3.82	4.75	10.19	3.00	3.50	2.69	21.18	16.68	1.50	2.74	3.05	51.80

Sliding Choker Hooks

- Speeds rigging time of bundled loads.
- Reduces sling wear when used with thimbles. When used on multi-part slings, contact *Lift-All* for additional information.
- Saddle is rounded to minimize wear.
- Hook opening is large enough to take a galvanized plow steel thimble the same size as the hook size.



Hook Number (Rope Dia.)	1Rated Cap.* IMP (tons)	Dimension (in.)								Weight (lbs.)
		A	B	C	D	E	F	G	H	
3/8 - 1/2	1.9	0.67	0.67	0.83	2.00	0.50	0.75	3.88	5.20	1.5
5/8	2.9	0.88	0.88	1.13	2.75	0.56	0.94	4.44	5.94	4.0
3/4	4.1	1.00	1.00	1.13	3.13	0.69	1.25	4.69	6.44	4.5



Contact *Lift-All* for domestic hook information, including larger sizes.

¹ Rated Capacity also referred to as Working Load Limit.

*

WARNING

Do not exceed rated capacities. Sling capacity decreases as the angle from horizontal decreases. Do not use slings at angles of less than 30°. Refer to the Effect of Angle chart found in the General Information section of this catalog.

General Information
Web Slings
Round Slings
Sling Protection
Wire Rope
Chain Slings
Rigging Hardware
Mesh Slings
Load Huggers
Tow Products
Lift-All Hoists
Hoist Rings
Plate Clamps
Lifting Devices